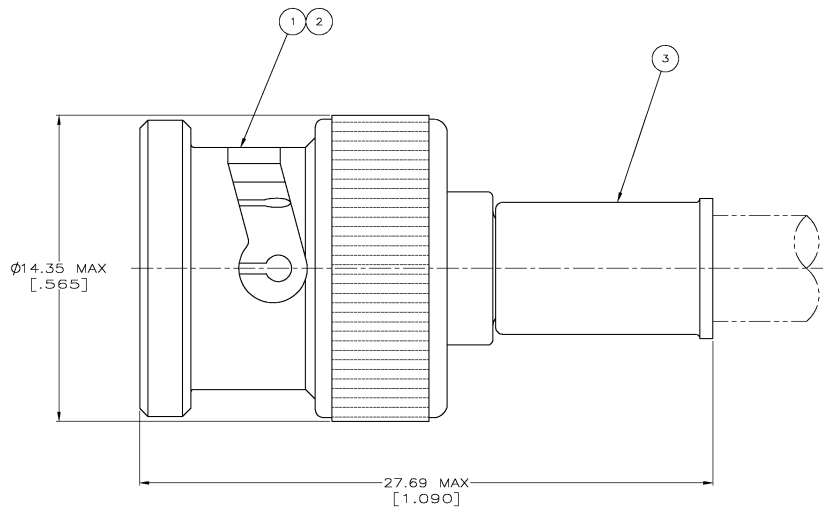
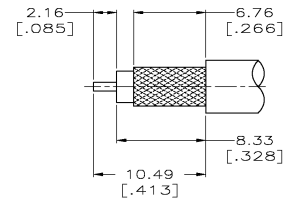


THIS DRAWING IS UNPUBLISHED. RELEASED FOR PUBLICATION .19
 © COPYRIGHT 19 BY AMP INCORPORATED. ALL INTERNATIONAL RIGHTS RESERVED.

LOG	DIST	P	F	ZONE	LTR	DESCRIPTION	DATE	APPD
AJ	16					OBSELETE -3 PER OS14-0485-02	17OCT03	KW



- △ USE PRO-CRIMPER II HAND TOOL
- 2. USE INSTRUCTION SHEET 408-4026



RECOMMENDED STRIP LENGTH
SCALE 4:1

SUPERSEDE BY 414852-3	SINGLE	RG-174/U, 179/U, 187/U, 188/U, 316/U	58559-1	2-328666-5	1-414724-2	414853-3	414852-6
SUPERSEDE BY 414852-2	SINGLE	RG-59, 59A, 59B/U	58558-1	50428-2	414724-8	414853-2	414852-5
SUPERSEDE BY 414852-1	SINGLE	RG-58, 58A, 58B, 58C/U & BELDEN 9907	58558-1	50427-4	414724-6	414853-1	414852-4
OBSELETE	BULK	RG-174/U, 179/U, 187/U, 188/U, 316/U	58559-1	2-328666-5	1-414724-2	414853-3	414852-3
	BULK	RG-59, 59A, 59B/U	58558-1	50428-2	414724-8	414853-2	414852-2
	BULK	RG-58, 58A, 58B, 58C/U & BELDEN 9907	58558-1	50427-4	414724-6	414853-1	414852-1

PACKAGING	FOR USE WITH CABLE	DIE SET △ ③	FERRULE ② QTY=1	CONTACT ① QTY=1	PLUG ASSEMBLY QTY=1	PART NUMBER
-----------	--------------------	-------------	--------------------	--------------------	------------------------	-------------

DO NOT SCALE PRINT.
UNLESS SPECIFIED
DIMENSIONS IN mm [INCHES]
TOLERANCES ON :
2 PLC DEC ± -
3 PLC DEC ± -
ANGLES ± -
MATERIAL -
FINISH -

DR 18MAY84
M.E. COWHER
CHK 18MAY84
M. PHILLIPS
APPD 19MAY84
M. PHILLIPS
APPD 19MAY84
M.E. COWHER
PRODUCT SPEC -
APPLICATION SPEC -
WEIGHT -

AMP AMP Incorporated
Harrisburg, PA 17105-3608

PLUG, CONSUMER, BNC

SIZE CAGE CODE DRAWING NO
C 00779 C-414852
SCALE 8:1 SHEET 10F 1

AMP INCORPORATED. IT IS SUBJECT TO CHANGE
AND THE CONTROLLING ENGINEERING ORGANIZATION
SHOULD BE CONTACTED FOR THE LATEST REVISION.

AMP 1471-6 REV 3-92
Copyright © 1992 AMP Incorporated
11-APR-01 08:39:31 amp06572 /home/amp06572/edmmmod

CUSTOMER DRAWING

414852

A