

4

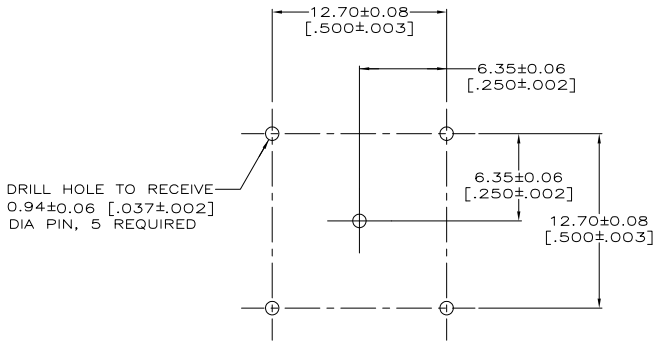
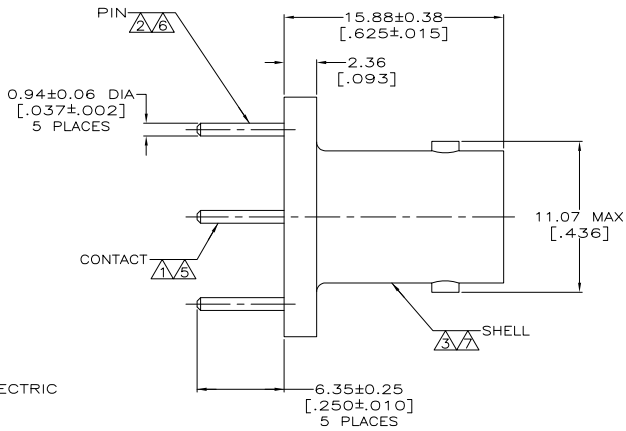
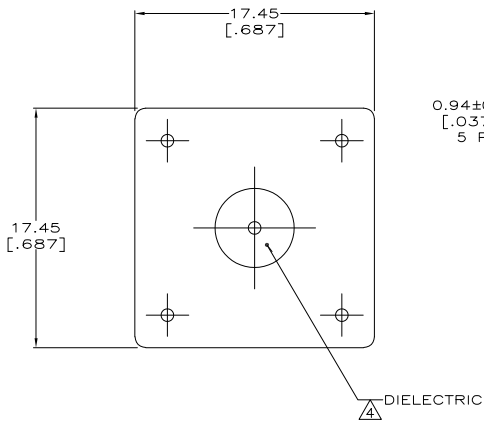
3

2

1

THIS DRAWING IS UNPUBLISHED. RELEASED FOR PUBLICATION  
 © COPYRIGHT BY TYCO ELECTRONICS CORPORATION. ALL RIGHTS RESERVED.

LOC	DIST	REVISIONS		
		P	LR	APD
AJ	16	F		
		REVISOR		DATE
		REVISED PER EC 0514-0499-04		11JULY05
			BM	JL



SUGGESTED PCB CONFIGURATION

- ⚠ BERYLLIUM COPPER PER ASTM-B-197.
- ⚠ BRASS PER QQ-B-626.
- ⚠ ZINC PER QQ-Z-363.
- ⚠ PTFE PER MIL-P-19468.
- ⚠ SILVER PLATE PER QQ-S-365  
2.54µm [0.000100] MINIMUM THICK.
- ⚠ TIN PLATE PER ASTM-B-545  
2.54µm [0.000100] MINIMUM THICK.
- ⚠ NICKEL PLATE PER QQ-N-290  
3.81µm [0.000150] MINIMUM THICK.
- 8. SEE INSTRUCTION SHEET 408-9889.

413986-1  
PART NUMBER

THIS DRAWING IS A CONTROLLED DOCUMENT.		DN J. LIPPERT 10-15-90	Tyco Electronics Corporation Harrisburg, Pa 17105-3608	JACK, 75 OHM, VERTICAL, PCB, BNC	RESTRICTED TO
DIMENSIONS: INCHES		OK S. C. RUTH 10-25-90			
TOLERANCES UNLESS OTHERWISE SPECIFIED:		APP A. GABINY 10-25-90	NAME		
0 PLC ± - 1 PLC ± - 2 PLC ± 0.20 (0.008) 3 PLC ± - 4 PLC ± - ANGLES ± - FINISH -		PRODUCT SPEC 108-12078	SIZE CASE CODE DRAWING NO		
MATERIAL SEE NOTES 1 THRU 4		APPLICATION SPEC	A2 00779 C=413986		1 OF 1
SEE NOTES 5 THRU 7		WEIGHT	CUSTOMER DRAWING		REV F
		FINISH	SCALE 5:1		SHEET 1