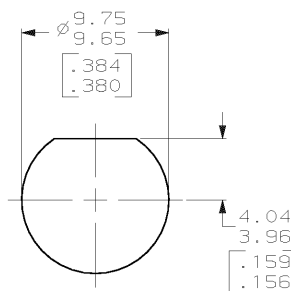
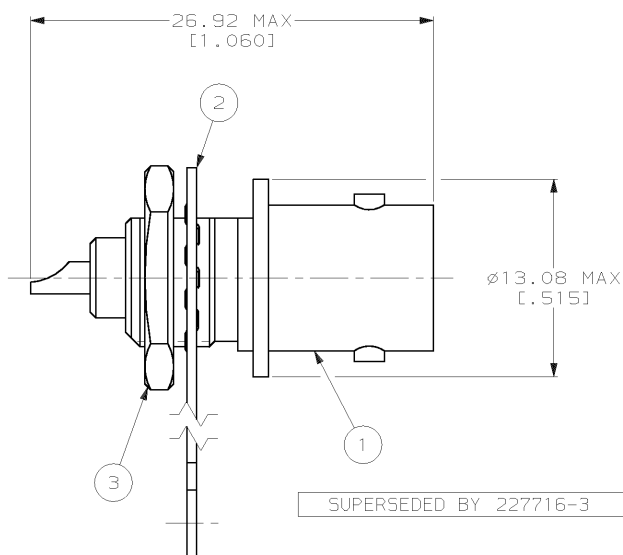


DRAWING MADE IN THIRD ANGLE PROJECTION

THIS DRAWING IS UNPUBLISHED. RELEASED FOR PUBLICATION, 19  
 © COPYRIGHT 19 BY AMP INCORPORATED. ALL INTERNATIONAL RIGHTS RESERVED.

LOC	DIST	P	F	ZONE	LTR	REVISIONS	DESCRIPTION	DATE	APPD
AJ	16					C	REDWN & OBS -2 PER AJ-2713	07-26-91	BAS
						D	SUPSD -1 PER AJ-6066	09-16-92	KT
						E	REV PER 0220-0371-94	6-1-94	JL



RECOMMENDED PANEL CUTOUT

SUPERSEDED BY 227716-3

1-330249-1	227260-2	227717-3	227716-3
1-330249-1	227260-2	227717-1	227716-1
(3) JAM NUT QTY=1	(2) LOCKWASHER, TERMINAL QTY=1	(1) JACK ASSY QTY=1	PART NUMBER

		PART NO	
DO NOT SCALE PRINT. UNLESS SPECIFIED DIMENSIONS IN MM (INCHES) TOLERANCES ON: 2 PLC DEC ± - 3 PLC DEC ± - ANGLES ± -	DR 07-26-91 B. SCOTT CHK B-14-91 J. LIPPERT APPD B-15-91 M. PHILLIPS APPD B-15-91 J. LIPPERT	AMP AMP Incorporated Harrisburg, PA 17105-3608	
MATERIAL -	PRODUCT SPEC -	NAME SOLDER JACK, SERIES BNC	
FINISH -	APPLICATION SPEC -	SIZE B	CAGE CODE 00779
WEIGHT -	WEIGHT -	DRAWING NO 227716	SHEET 1 OF 1

AMP 1470-15 REV 11-89  
 01 JUN 1994 15:14:38 AMP25904

CUSTOMER DRAWING