

4

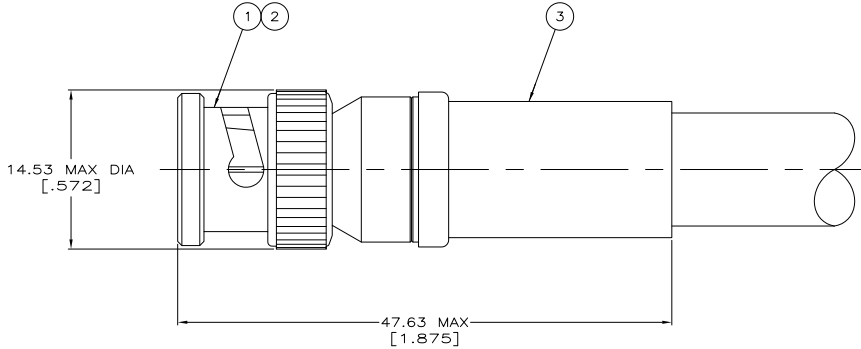
3

2

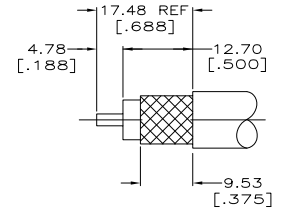
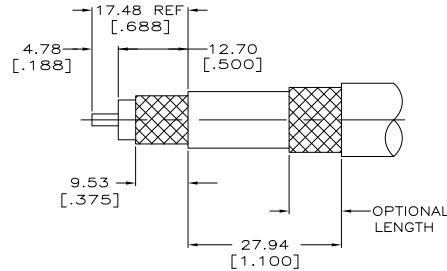
1

THIS DRAWING IS UNPUBLISHED. RELEASED FOR PUBLICATION  
 © COPYRIGHT BY TYCO ELECTRONICS CORPORATION. ALL RIGHTS RESERVED.

LOC	DIST	REVISIONS			
P	LTR	DESCRIPTION	DATE	BY	APPD
AJ	16				
		K2	REV PER ECO-10-003053	25FEB2010	HMR FB



- ⚠ FOR USE WITH, INTERCOMP RG-11/U TYPE CABLE, .068 DIA CENTER CONDUCTOR, .285 DIA DIELECTRIC, .385 O.D. JACKET, USE STRIP LENGTH A.
- ⚠ FOR USE WITH, BELDEN 8213 CABLE & THE COAX PORTION OF BELDEN 9232 CABLE, USE STRIP LENGTH B.
- 3. USE CRIMPING TOOL: 220015-1.
- 4. SEE I.S. 1914-1
- ⚠ RG-9/U, RG-9A/U, RG-9B/U, RG-214/U, RG-8/U, RG-8A/U & RG-213/U.
- ⚠ OBSOLETE PARTS: OBSOLETE CIS STREAMLINING PER D.RENAUD/D.SINISI



VIEW A RECOMMENDED STRIP LENGTH VIEW B  
 SCALE 2:1

OBSOLETE	RG-11/U	B	9-51713-0	225526-4	225887-2	225886-8
	TIMES FM-8	B	9-51713-0	225526-6	225887-2	225886-7
⚠ OBSOLETE	⚠ ALPHA 9847	A OR B, SEE CABLE	9-51713-0	225596-4	225887-2	<del>225886-6</del>
OBSOLETE	RG-11/U	B	51713-2	225596-4	225887-3	225886-5
	RG-9/U	B	9-51713-4	225526-4	225887-1	225886-4
OBSOLETE	RG-9/U,9A/U,9B/U & 214/U	B	51713-2	225596-2	225887-1	225886-2
		B	9-51713-4	225596-2	225887-1	225886-1
	FOR USE WITH CABLE:	VIEW	③ FERRULE QTY=1	② CONTACT QTY=1	① PLUG ASSY QTY=1	PART NUMBER

THIS DRAWING IS A CONTROLLED DOCUMENT.

DESIGNED BY: NIK FRITZ 9-18-90	DATE: 9-18-90	TYCO ELECTRONICS CORPORATION
CHKD BY: J LIPPERT 11-7-91	DATE: 11-7-91	Harrisburg, PA 17105-3608
APP'D BY: M. PHILLIPS 11-7-91	DATE: 11-7-91	
PRODUCT SPEC: 108-12020	APPLICATION SPEC: -	PLUG, DUAL CRIMP SERIES BNC
WEIGHT: -	SIZE: A2	CAGE CODE: 00779
MATERIAL: -	FINISH: -	DRAWING NO: C-225886
		RESTRICTED TO: -
		CUSTOMER DRAWING
		SCALE: 4:1
		SHEET: 1 of 1
		REV: K2

AMP 1471-9 REV 31MM2000

225886

A