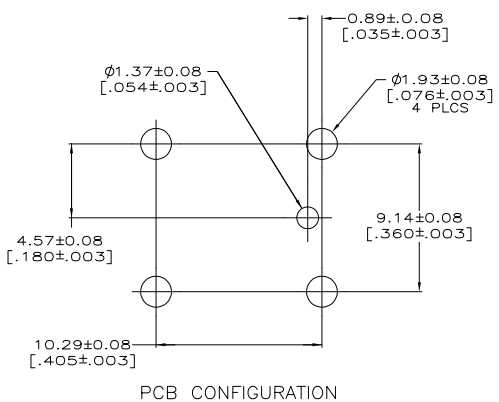
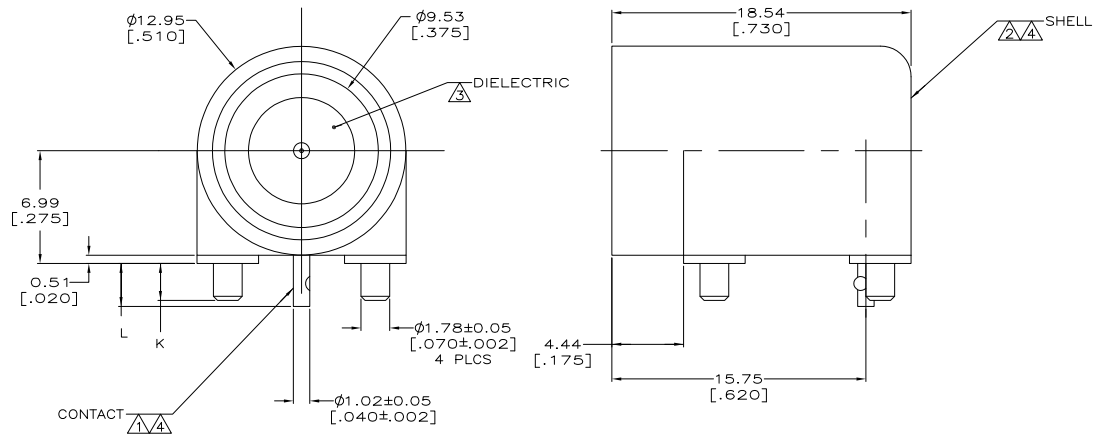


THE DRAWING IS UNPUBLISHED. RELEASED FOR PUBLICATION
 COPYRIGHT 2005 BY TYCO ELECTRONICS CORPORATION. ALL RIGHTS RESERVED.

LOC	DET	REVISIONS			
TR	LR	DESCRIPTION	DATE	DRN	APPD
AJ	16	D	REVISED PER EC 0514-0457-04	03NOV05	TS JL



- ▲ BRASS PER ASTM-B-16
 - ▲ ZINC PER QQ-Z-363.
 - ▲ POLYPROPYLENE, GENERAL PURPOSE
 - ▲ TIN PLATE PER ASTM-B-545
3.81 μm [.000150] MINIMUM THICK.
5. TEST JACK INSERTION DEPTH TO BE .450 IN

	3.30 [.130]	3.30 [.130]	415406-2
OBSOLETE	-2.29 [-.090]	2.67 [-.105]	415406-1
	K	L	PART NUMBER

THIS DRAWING IS A CONTROLLED DOCUMENT.				DRN	LIPPERT	ZMAYSR	Tyco Electronics Corporation Harrisburg, PA 17105-3608	
DIMENSIONS:		TOLERANCES UNLESS OTHERWISE SPECIFIED:		DRN	K	WELDNER	CALLNAME	DATE
MM [INCHES]	Ø	PLC	±	DRN	K	WELDNER	CALLNAME	DATE
		1 PLC	±	PRODUCT SPEC				
		2 PLC	±	APPLICATION SPEC				
		3 PLC	±					
		4 PLC	±					
		5 PLC	±					
		6 PLC	±					
		7 PLC	±					
		8 PLC	±					
		9 PLC	±					
		10 PLC	±					
		11 PLC	±					
		12 PLC	±					
		13 PLC	±					
		14 PLC	±					
		15 PLC	±					
		16 PLC	±					
		17 PLC	±					
		18 PLC	±					
		19 PLC	±					
		20 PLC	±					
		21 PLC	±					
		22 PLC	±					
		23 PLC	±					
		24 PLC	±					
		25 PLC	±					
		26 PLC	±					
		27 PLC	±					
		28 PLC	±					
		29 PLC	±					
		30 PLC	±					
		31 PLC	±					
		32 PLC	±					
		33 PLC	±					
		34 PLC	±					
		35 PLC	±					
		36 PLC	±					
		37 PLC	±					
		38 PLC	±					
		39 PLC	±					
		40 PLC	±					
		41 PLC	±					
		42 PLC	±					
		43 PLC	±					
		44 PLC	±					
		45 PLC	±					
		46 PLC	±					
		47 PLC	±					
		48 PLC	±					
		49 PLC	±					
		50 PLC	±					
		51 PLC	±					
		52 PLC	±					
		53 PLC	±					
		54 PLC	±					
		55 PLC	±					
		56 PLC	±					
		57 PLC	±					
		58 PLC	±					
		59 PLC	±					
		60 PLC	±					
		61 PLC	±					
		62 PLC	±					
		63 PLC	±					
		64 PLC	±					
		65 PLC	±					
		66 PLC	±					
		67 PLC	±					
		68 PLC	±					
		69 PLC	±					
		70 PLC	±					
		71 PLC	±					
		72 PLC	±					
		73 PLC	±					
		74 PLC	±					
		75 PLC	±					
		76 PLC	±					
		77 PLC	±					
		78 PLC	±					
		79 PLC	±					
		80 PLC	±					
		81 PLC	±					
		82 PLC	±					
		83 PLC	±					
		84 PLC	±					
		85 PLC	±					
		86 PLC	±					
		87 PLC	±					
		88 PLC	±					
		89 PLC	±					
		90 PLC	±					
		91 PLC	±					
		92 PLC	±					
		93 PLC	±					
		94 PLC	±					
		95 PLC	±					
		96 PLC	±					
		97 PLC	±					
		98 PLC	±					
		99 PLC	±					
		100 PLC	±					

AMP 1471-B REV 31MMR2000

415406

A