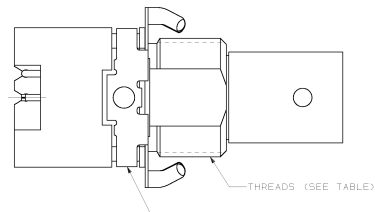
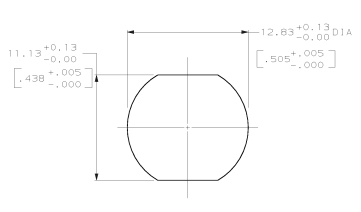
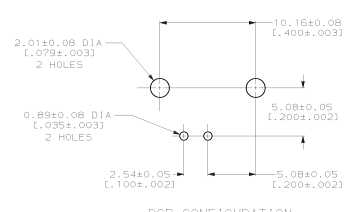
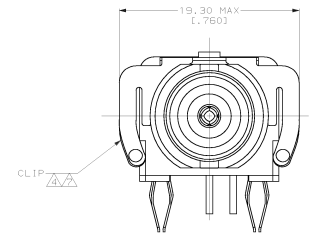
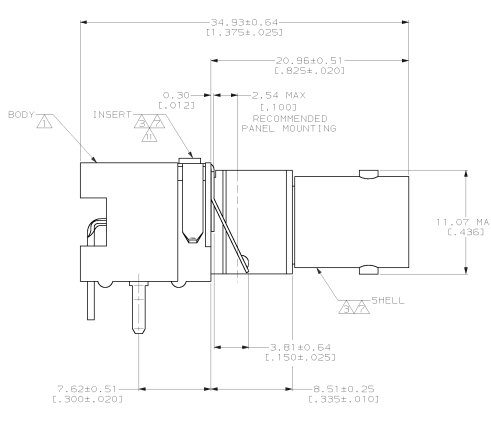
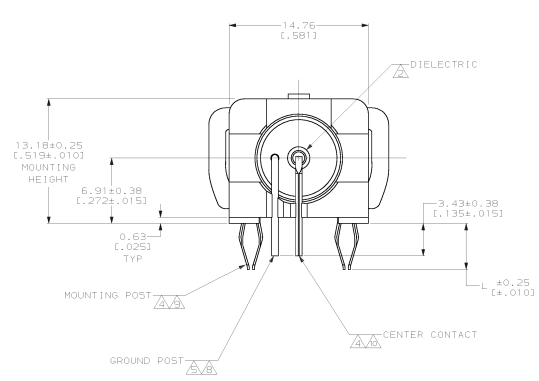


REV	DATE	BY	CHK	APP	DESCRIPTION	DATE	APP
AJ	16				H SUPSD -1 FER 0E10-0110-99	1 FEB00	MO



- ▲ POLYESTER, PBT, BLACK, PER MIL-N-24519.
- ▲ POLYMETHYLENE GENERAL PURPOSE.
- ▲ ZINC PER QQ-Z-363.
- ▲ PHOSPHOR BRONZE PER QQ-B-750.
- ▲ BRASS PER QQ-B-626.
- ▲ BRASS PER ASTM-B-453.
- ▲ NICKEL PL PER QQ-N-290.
- ▲ TIN-LEAD PL PER MIL-P-81728.
- ▲ TIN-LEAD PL PER ASTM-B-545.
- ▲ SELECTIVELY GOLD PLATED ON INTERFACE AREA PER MIL-G-45204, 0.75 (.000030) THK, TIN-LEAD PLATED ON SOLDER TAIL PER MIL-P-81728, ALL OVER NICKEL PL PER QQ-N-290.
- ▲ ESD DEVICE, VOLTAGE BREAKDOWN <3.5KVDC.
- ▲ 1/2-28 UNEF-2A



REV	DATE	DESCRIPTION	CAPACITANCE & VOLTAGE	PART NO
2.79	[.110]	▲	7900 pF, 1500 VDC	414651-3
OBSELETE	-	NO THREADS	7900 pF, 1500 VDC	414651-2
SUPSD BY 414651-3	4.70 [L.185]	▲	7900 pF, 1500 VDC	414651-1
L		▲	THREADS	

DO NOT SCALE PRINT.
 UNLESS SPECIFIED
 DIMENSIONS IN mm (INCHES)
 FRACTIONS ON
 2 PLS USE 8.25 (L.000)
 3 PLS DEC #
 DECIMALS #

DR 7-18-94
 J. LIPPERT
 DR 7-18-94
 D. TAVEL
 APPD 7-18-94
 D. TAVEL
 APPD 7-18-94
 J. LIPPERT
 PRODUCT SPEC
 108-1269

FINISH
 SEE NOTES 7, 8, 9 & 10

APPLICATION SPEC

AMP Incorporated
 Harrisburg, PA 17105-9608

JACK, DECOUPLER, PCB
 RIGHT ANGLE, LOW PROFILE,
 ESD PROTECTED, BNC

SIZE
 D 00779

DATE CODE
 00779

BRAND NO
 ©=414651

SCALE
 5:1

SHEET
 1 OF 1