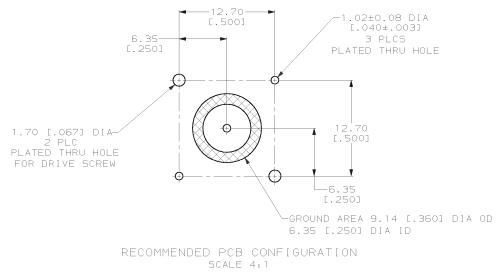
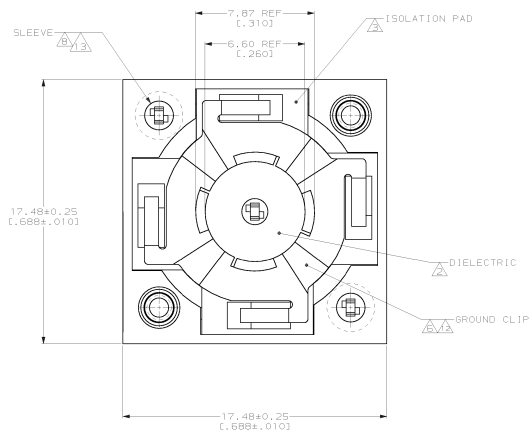
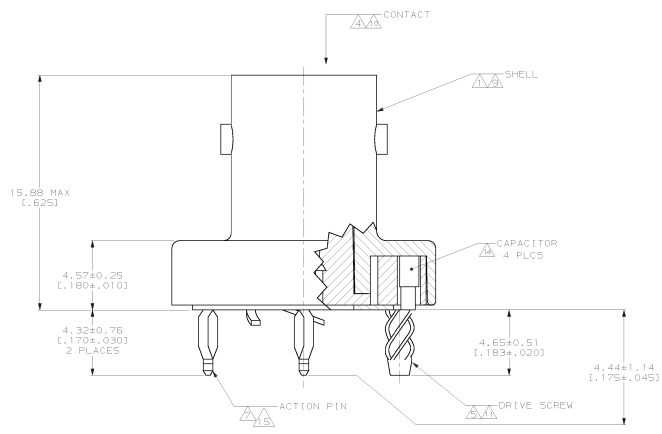


DRAWING MADE IN THIRD ANGLE PROJECTION
 THIS DRAWING IS UNPUBLISHED. RELEASED FOR PUBLICATION
 © COPYRIGHT 19 BY AMP INCORPORATED. ALL INTERNATIONAL RIGHTS RESERVED.

REV	DATE	BY	CHK	APPD	DESCRIPTION	DATE	APPD
AJ	16				REV PER DU20-0223-00		



- △ ZINC PER QQ-Z-363.
- △ PTFE PER MIL-P-19469.
- △ POLYESTER PER MIL-P-24519.
- △ BERYLLIUM COPPER PER QQ-C-530.
- △ STAINLESS STEEL PER ASTM-A-582.
- △ PHOSPHOR BRONZE PER ASTM-B-103.
- △ COPPER NICKEL ALLOY PER ASTM-B-122.
- △ BRASS PER QQ-B-626.
- △ NICKEL PLATE PER QQ-N-290
5.08µm (.000150) MINIMUM THICK.
- △ GOLD PLATE PER MIL-G-45204
0.76µm (.000050) MINIMUM THICK.
- △ PASSIVATE PER QQ-P-35.
- △ NICKEL PLATE PER QQ-N-290
0.76µm (.000030) MINIMUM THICK.
- △ TIN-LEAD PLATE PER ASTM-B-545,
2.54µm (.000100) MINIMUM THICK.
- △ ELECTRICAL CHARACTERISTICS:
A. CAPACITANCE 10800 pF
B. DIELECTRIC WITHSTANDING VOLTAGE
1000 VDC
- △ GOLD PLATE PER MIL-G-45204

DO NOT SCALE PRINT. UNLESS SPECIFIED DIMENSIONS IN mm (INCHES) PUSH/PULLS: 0.1 2 P.L.C. SEE 9 0.05 (1.00) 3 P.L.C. DEC 9 "		DR 3-20-93 J. LIPPERT	AMP Incorporated Harrisburg, PA 17105-9608
SEE NOTES 1 THRU B	APPD 4-8-93 A. GIBNEY	NAME JACK, DECOUPLER, PCB, ACTION PIN, 50Ω, BNC	
FINISH SEE NOTES 9 THRU 13	APPLICATION SPEC -	PRODUCT SPEC -	SIZE D 00779
			BRANDING NO 414553
			SCALE 8:1
			SHEET 1 OF 1

28-JAN-00 07:21:04 00005572

CUSTOMER DRAWING