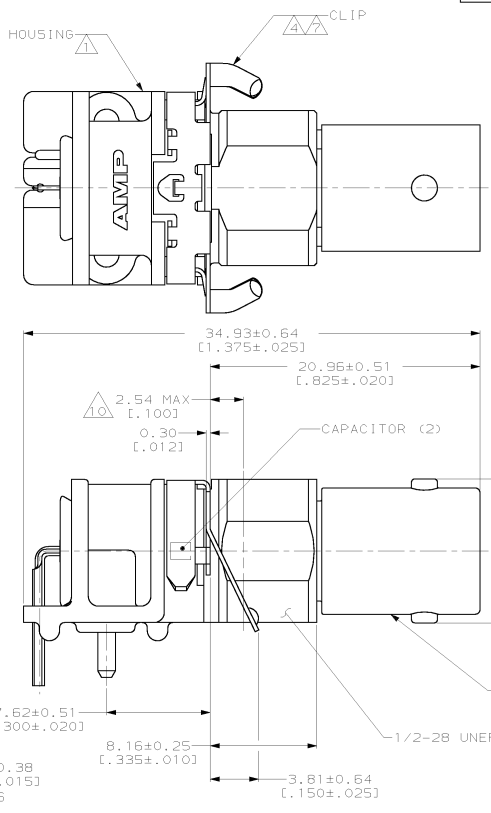
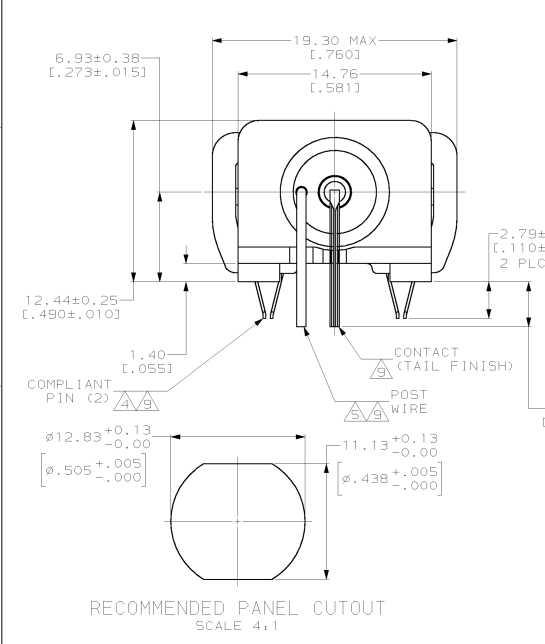
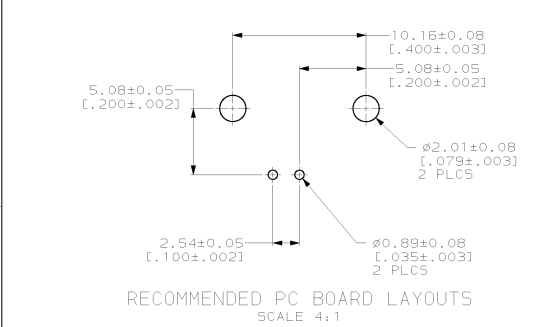


THIS DRAWING IS UNPUBLISHED. RELEASED FOR PUBLICATION
 (C) COPYRIGHT 19 BY AMP INCORPORATED. ALL RIGHTS RESERVED.

REV	DATE	BY	APP'D	DESCRIPTION
16				REVISIONS
D				OBS - 3 PER: 0020-0072-01



- △ POLYESTER PBT PER MIL-M-24519, TYPE GPT-15F, UL94V-0 RATED, COLOR: BLACK
- △ POLYMETHYLPENTENE: GENERAL PURPOSE
- △ ZINC DIE-CAST PER 00-Z-363
- △ PHOSPHOR BRONZE PER 00-B-750
- △ BRASS PER ASTM-B-453
- △ GOLD PLATE PER MIL-G-45204, 0.76µm [0.00030] MIN THICKNESS
- △ NICKEL PLATE PER 00-N-290, 2.54µm [0.00100] MIN THICKNESS
- △ CHROMATE PER 00-P-416
- △ TIN-LEAD PLATE PER MIL-P-81728A
- △ RECOMMENDED PANEL MOUNTING
- 11. CAPACITANCE: 9400pF
VOLTAGE: 1500vdc
- 12. ESD DEVICE VOLTAGE BREAKDOWN < 2.5kVdc
- 13. USE INSTRUCTION SHEET 2769
- △14 GOLD PLATE PER MIL-G-45204, 0.38µm [0.00015] MIN THICKNESS
- △15 GOLD PLATE PER MIL-G-45204, 0.08µm [0.00003] MIN THICKNESS

OBSELETE	△	415657-3
	△	415657-2
SUPSD BY 415657-2	△	415657-1

CONTACT FINISH	PART NUMBER
----------------	-------------

THIS DRAWING IS A CONTROLLED DOCUMENT.		DATE	BY	APPROVED	AMP Incorporated Harrisburg, PA 17105-3608
DRAWN BY MICHAEL E. DOWBER		DATE	BY	APPROVED	
CHECKED BY MICHAEL J. TOMCHAR		DATE	BY	APPROVED	
DESIGNED BY MICHAEL J. TOMCHAR		DATE	BY	APPROVED	
PART NAME		PART NUMBER		AMP Incorporated	
DIMENSIONS		108-1575		JACK, RIGHT ANGLE, 50 OHM, DECOUPLED, PCB, BNC	
MATERIAL		SEE NOTES		SIZE CASE CODE DRAWING NO.	
FINISH		SEE NOTES		A2 00779 C-415657	
CUSTOMER DRAWING		SCALE 5:1		SHEET 1 OF 1 REV D	

AMP 1471-9 REV 23P2095
 16-698-01 10-03-01 amp6572 /home/amp6572/edred

415657