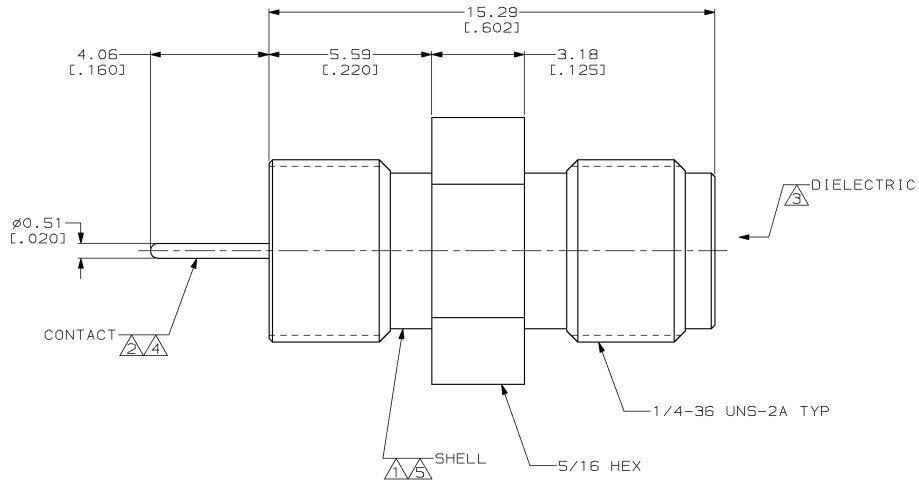


DRAWING MADE IN THIRD ANGLE PROJECTION
 THIS DRAWING IS UNPUBLISHED. RELEASED FOR PUBLICATION .19
 © COPYRIGHT 19 BY AMP INCORPORATED. ALL INTERNATIONAL RIGHTS RESERVED.

LOC	DIST	P	F	ZONE	LTR	REVISIONS	DATE	APPD
AJ	16				0	RLSE -1 PER 96-3329-010	12-5-96	JL

- ▲ STAINLESS STEEL PER ASTM-A-582.
- ▲ BERYLLIUM COPPER PER ASTM-B-196.
- ▲ PTFE PER MIL-P-19468.
- ▲ GOLD PLATE PER MIL-G-45204
0.76 μm [.000030] MINIMUM THICK.
- ▲ PASSIVATE PER QQ-P-35



415702-1
PART NO

DO NOT SCALE PRINT. UNLESS SPECIFIED DIMENSIONS IN mm [INCHES] TOLERANCES ON + 2 PLC DEC ± 0.20 (.008) 3 PLC DEC ± ANGLES ± -		DR 12-5-96 J. LIPPERT	AMP Incorporated Harrisburg, PA 17105-3608	
SEE NOTES 1 THRU 3		CHK 12-5-96 J. CABARLO		
MATERIAL		APPD 12-5-96 J. LIPPERT	NAME JACK, PCB, VERT, SMA	
FINISH		APPLICATION SPEC	SIZE C	CAGE CODE 00779
SEE NOTES 4 & 5			DRAWING NO C-415702	
		WEIGHT	SCALE 10:1	SHEET 1 OF 1

THIS DRAWING IS A CONTROLLED DOCUMENT FOR AMP INCORPORATED. IT IS SUBJECT TO CHANGE AND THE CONTROLLING ENGINEERING ORGANIZATION SHOULD BE CONTACTED FOR THE LATEST REVISION.

CUSTOMER DRAWING

415702

A

10.2