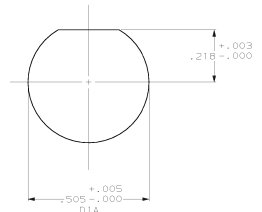
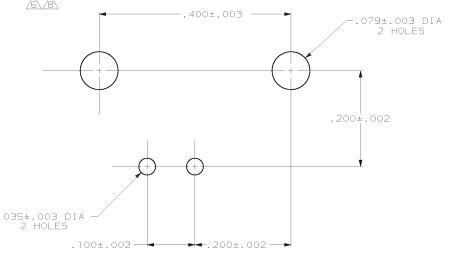
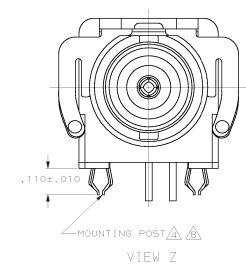
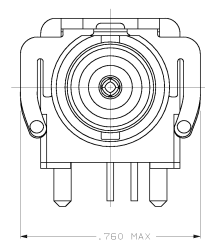
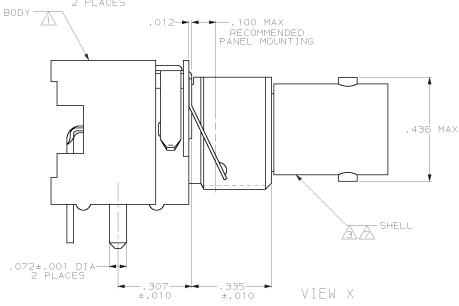
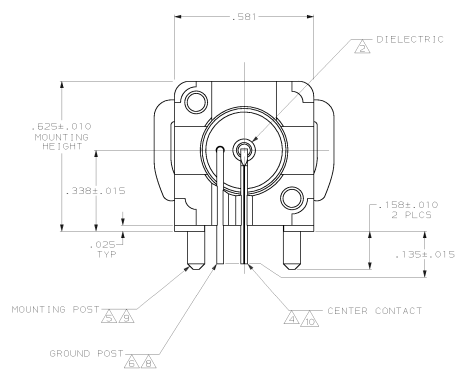
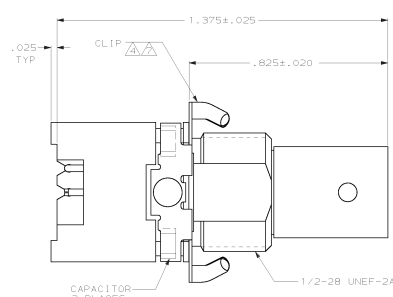
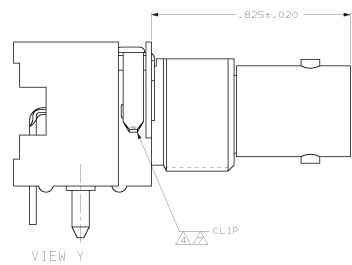


DRAWING MADE IN THIRD ANGLE PROJECTION
 THIRD ANGLE PROJECTION TO UNPUBLISHED, RELEASED FOR PUBLICATION
 © COPYRIGHT 19 BY AMP INCORPORATED. ALL INTERNATIONAL RIGHTS RESERVED.

REV	DATE	BY	CHK	APP	DESCRIPTION	DATE	APP
1							
2							
3							
4							
5							
6							
7							
8							
9							
10							
11							
12							
13							
14							
15							
16							

- ▲ POLYESTER, PBT, BLACK, PER MIL-M-24519
- ▲ POLYMETHYLPENTENE GENERAL PURPOSE
- ▲ ZINC PER 00-Z-353
- ▲ PHOSPHOR BRONZE PER 00-B-750
- ▲ BRASS PER 00-B-626
- ▲ BRASS PER ASTM-B-453
- ▲ NICKEL PL PER 00-N-290
- ▲ TIN-LEAD PL PER MIL-P-81728
- ▲ TIN-LEAD PL PER ASTM-B-545
- ▲ SELECTIVELY GOLD PLATED ON INTERFACE AREA PER: MIL-G-45204, .00030 THK, TIN-LEAD PLATED ON SOLDER TAIL PER: MIL-P-81728, ALL OVER NICKEL PL PER: 00-N-290



VIEW	DESCRIPTION	PART NUMBER
VIEW Z	9400 pF, 1500 VDC	413524-5
VIEW X OR Y	9400 pF, 1500 VDC	413524-4
VIEW X OR Y	9400 pF, 500 VDC	413524-3
VIEW X OR Y	9400 pF, 1500 VDC	413524-2
VIEW X OR Y	9400 pF, 500 VDC	413524-1

MOUNTING POST	CLIP	CAPACITANCE & VOLTAGE	PART NUMBER

DO NOT SCALE PRINT, UNLESS SPECIFIED. DIMENSIONS IN INCHES. DIMENSIONS ON 3 P.L.C. DEC. # 2008. UNLESS INDICATED OTHERWISE.	DR 4/30/90 P.6/ELN CHK 5/19/93 R.E.6/HTH APPD 5/18/90 F.R.100 PRODUCT SPEC 108-1269	AMP INCORPORATED MORTON, PA. 17105 JACK, DECOUPLER, RIGHT ANGLE, PCB, SERIES BNC NAME: JACK, DECOUPLER, RIGHT ANGLE, PCB, SERIES BNC SIZE: D LABEL CODE: 00779 DRAWING NO: 413524 SCALE: 5:1 SHEET: 1 OF 1
---	---	---