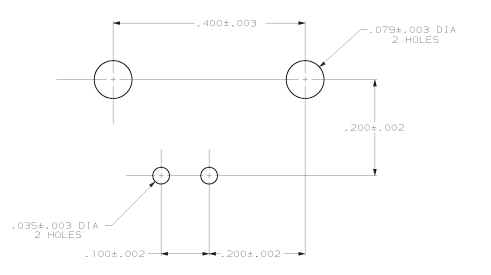
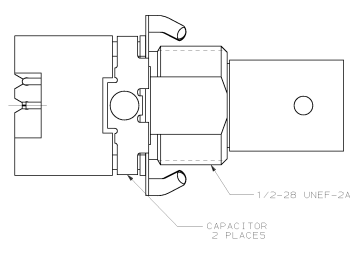


DRAWING MADE IN THIRD ANGLE PROJECTION
 THESE DIMENSIONS ARE UNLESS SPECIFIED RELEASED FOR PUBLICATION
 © COPYRIGHT 19 BY AMP INCORPORATED. ALL INTERNATIONAL RIGHTS RESERVED.

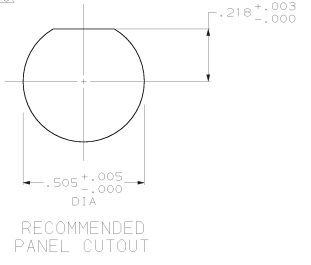
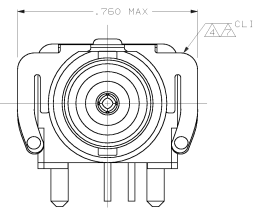
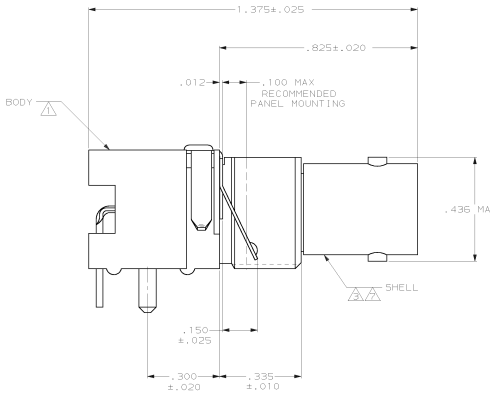
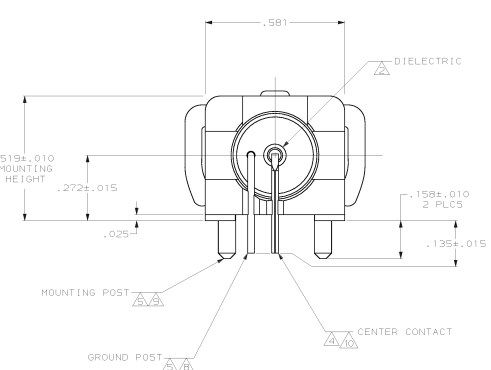
REV	DATE	DESCRIPTION	DATE	APPRO
AJ	16	H	15	1



P.C.B. CONFIGURATION
 SCALE=10:1



- △ POLYESTER, PBT, BLACK, PER MIL-M-24519
- △ POLYMETHYLENE GENERAL PURPOSE
- △ ZINC PER QQ-2-363
- △ PHOSPHOR BRONZE PER QQ-B-750
- △ BRASS PER QQ-B-626
- △ BRASS PER ASTM-B-453
- △ NICKEL PL PER QQ-N-290
- △ TIN-LEAD PL PER MIL-P-81728
- △ TIN-LEAD PL PER ASTM-B-545
- △ SELECTIVELY GOLD PLATED ON INTERFACE AREA PER: MIL-G-45204, .000030 THK, TIN-LEAD PLATED ON SOLDER TAIL PER: MIL-P-81728, ALL OVER NICKEL PL PER: QQ-N-290



RECOMMENDED
 PANEL CUTOUT

SUPERSEDED BY 414094-2	9400 pF, 1500 VDC	414094-2
	9400 pF, 500 VDC	414094-1
	CAPACITANCE & VOLTAGE	PART NUMBER

DO NOT SCALE PRINT. UNLESS SPECIFIED DIMENSIONS IN INCHES TOLERANCES ON ±	DR 2-18-91 H. SHEED	AMP INCORPORATED HARTFORD, PA. 17105
2 P.C.B. USE # 3 P.C.B. DEC # .008	CHR 2-18-91 R. HENRY	
MATERIAL	APPD 2-18-91 R. HENRY	NAME
△ THRU △	MODLT SPEC 108-1269	JACK, DECOUPLER, PCB, LOW PROFILE, 75 OHM, RIGHT ANGLE, SERIES BNC
FINISH	APPLICATION SPEC	SIZE
△ △ △ △	NETWT -	D 00779
		DRAWING NO
		414094
		SCALE
		5:1
		SHEET
		1 OF 1

CUSTOMER DRAWING