

4

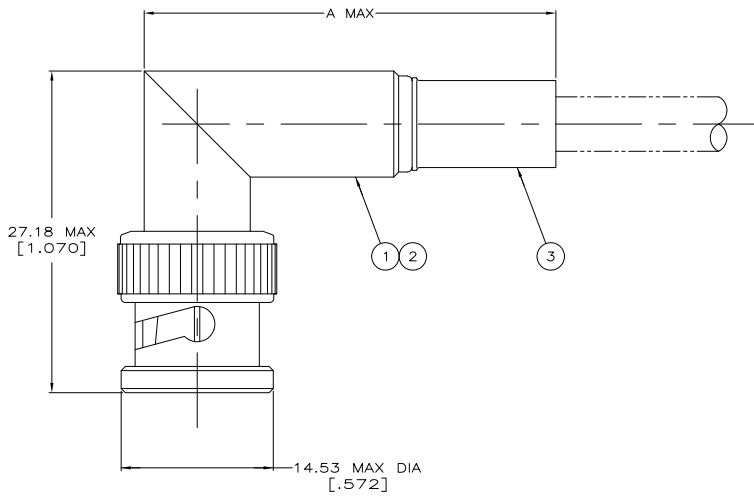
3

2

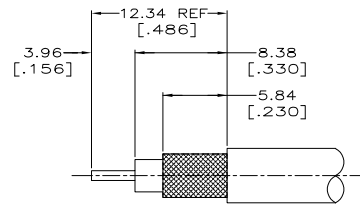
1

THIS DRAWING IS UNPUBLISHED. RELEASED FOR PUBLICATION
 © COPYRIGHT BY TYCO ELECTRONICS CORPORATION. ALL RIGHTS RESERVED.

LOC	QTY	REV	DESCRIPTION	DATE	BY	APP'D
AJ	16	N1	REVISED PER ECO-06-018704	05SEP2006	MC	JH



- ⚠ USE WITH PRO-CRIMPER II
 ⚠ SEE SEPERATE RESTRICTED CUSTOMER DRAWING WITH THIS PART NUMBER.
 3. USE INSTRUCTION SHEET 9781



RECOMMENDED STRIP LENGTH

	AT&T 735	58174-1	39.88 [1.570]	9-328666-2	221200-9	413947-2	221402-7
⚠ OBSOLETE	-	-	-	-	-	-	221402-6
⚠ OBSOLETE	BELDEN 8281, 9231 AND WECO 728	220189-7	41.78 [1.645]	9-50427-2	2-221200-5	413947-3	221402-5
	BELDEN 9145	58085-1	39.88 [1.570]	9-50428-0	2-221200-5	413947-6	221402-4
SUPCD BY 413588-3	BELDEN 8218	58174-1	39.88 [1.570]	9-329461-0	221200-9	413947-2	221402-3
⚠ OBSOLETE	RG-59/U, 59A/U, 59B/U	58085-1	39.88 [1.570]	9-50428-0	221200-3	413947-6	221402-2
⚠ OBSOLETE	BELDEN 9248 & MADISON W/18AWG C/C	58086-1	39.88 [1.570]	9-50427-0	3-221200-2	413947-5	221402-1

CABLE	DIE SET	A	③ FERRULE QTY=1	② CONTACT QTY=1	① PLUG ASSEMBLY QTY=1	PART NUMBER
-------	---------	---	--------------------	--------------------	--------------------------	-------------

THIS DRAWING IS A CONTROLLED DOCUMENT.		DRN J. LIPPERT	03MAY97	Tyco Electronics Corporation Harrisburg, PA 17105-3608	
DIMENSIONS: mm (inches)		CHK M. PHILLIPS	03MAY97	Tyco Electronics	
TOLERANCES UNLESS OTHERWISE SPECIFIED:		APP'D M. PHILLIPS	03MAY97	NAME	
Ø PLG	± .005	PRODUCT SPEC		108-12020	
Ø PLG	± .005	APPLICATION SPEC		SIZE CASE CODE DRAWING NO	
Ø PLG	± .005	MATERIAL		A2 00779 C=221402	
Ø PLG	± .005	FINISH		RESTRICTED TO	
Ø PLG	± .005	CUSTOMER DRAWING		SCALE 4:1 SHEET 1 OF 1 REV N1	

AMP 1471-9 REV 31MM2000

221402

A