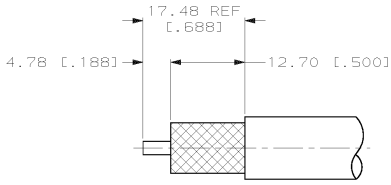
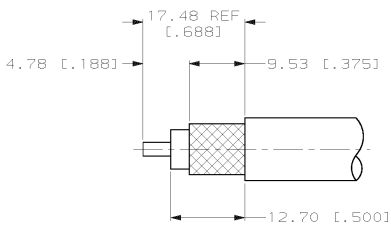


DRAWING MADE IN THIRD ANGLE PROJECTION  
 THIS DRAWING IS UNPUBLISHED. RELEASED FOR PUBLICATION  
 © COPYRIGHT 19 BY AMP INCORPORATED. ALL INTERNATIONAL RIGHTS RESERVED.

LOG	DIST	P	F	ZONE	LTR	REVISIONS	DATE	APPD
AJ	16				K	OBS -4 PER 0E10-0116-99	04FEB00	MO

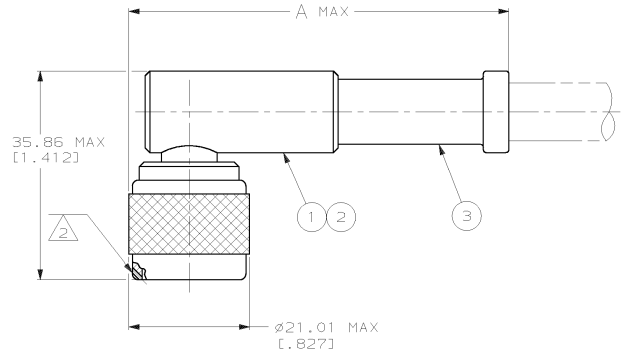


VIEW X  
RECOMMENDED STRIP LENGTH



VIEW Y  
RECOMMENDED STRIP LENGTH

1. PARTS PACKAGED UNASSEMBLED.
2. THREE SAFETY WIRE HOLES  $\phi 0.61$  [.024] MINIMUM, EQUALLY SPACED AROUND CIRCUMFERENCE.
3. SEE INSTRUCTION SHEET #2028-5.
4. OBSOLETE PART NUMBER.
5. SUPERSEDED BY 225389-4.



CABLE SIZE	STAMPING	CRIMP TOOL	A	VIEW	3 FERRULE QTY=1	2 CONTACT QTY=1	1 PLUG ASSY QTY=1	PART NUMBER
-	-	-	-	-	-	-	-	7-225389-4
RG-213/U	7-225389-2 AMP	220015-1	62.31 [2.453]	Y	1-331987-3	51704-2	225417-1	7-225389-2
MICRODOT 250-4172 & 250-4208	225389-9 AMP	220015-3	61.49 [2.421]	Y	225612-2	51704-2	225904-1	1-225389-0
RG-165/U & M15224	225389-8 AMP	220015-1	62.31 [2.453]	Y	1-331987-3	1-51704-0	225417-1	225389-9
RG-393/U	225389-6 AMP	220015-1	62.31 [2.453]	X	225490-1	1-51704-0	225417-1	225389-8
RG-214/U	10688467 AMP	220015-1	62.31 [2.453]	X	331987	51704-2	225417-1	225389-6
RG-214/U	00779 M39012/0580003 AMP & DATE CODE	220015-1	62.31 [2.453]	X	331987	51704-2	225417-1	225389-5
RG-225/U	225389-3 AMP	220015-1	62.31 [2.453]	X	331987	1-51704-0	225417-1	225389-4
RG-213/U	00779 M39012/0580002 AMP & DATE CODE	220015-1	62.31 [2.453]	Y	1-331987-3	51704-2	225417-1	225389-3
RG-115A/U	225389-1 AMP	220015-1	62.31 [2.453]	X	1-331987-3	51704-2	225417-2	225389-2

DO NOT SCALE PRINT. UNLESS SPECIFIED DIMENSIONS IN MM (INCHES) TOLERANCES ON : 2 PLC DEC $\pm 0.41$ [.016] 3 PLC DEC $\pm$ - ANGLES $\pm$ -		DR 5-29-91 B. SCOTT	PART NO	
MATERIAL	FINISH	CHK 10-30-91 M. SNEED	AMP Incorporated Harrisburg, PA 17105-3608	
----	----	APPD 10-30-91 R. HENRY	NAME PLUG, RIGHT ANGLE, WEATHERPROOF, SERIES N	
		PRODUCT SPEC 108-12019	SIZE C 00779	DRAWING NO 225389
		APPLICATION SPEC	SCALE 2:1	SHEET 1 OF 1
		WEIGHT 2.6 OZ MAX		

CUSTOMER DRAWING

225389

A