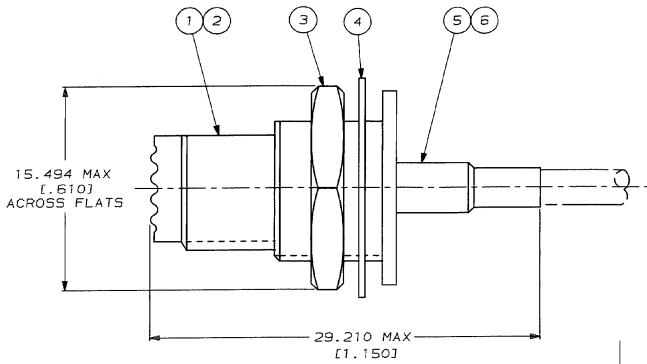
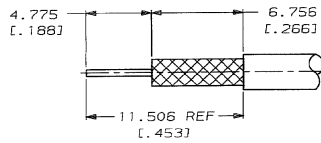


DRAWING MADE IN THIRD ANGLE PROJECTION
 THIS DRAWING IS UNPUBLISHED. RELEASED FOR PUBLICATION
 © COPYRIGHT 19 BY AMP INCORPORATED. ALL INTERNATIONAL RIGHTS RESERVED.

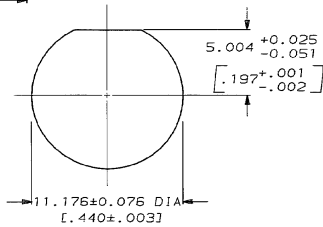
LOC	DIST	P	F	ZONE	LTR	REVISIONS	DATE	APPD
AJ	16					REL PER 90-3338-011	12-4-90	MS



- △ USE CRIMP TOOL: 220149-1
- 2. 2.540 [1.00] MAX PANEL THICKNESS
- 3. PACKAGED UNASSEMBLED



RECOMMENDED STRIP LENGTH



RECOMMENDED PANEL CUTOUT

RG-58/U	228906-1	226599-2	980506-1	228575-2	226510-2	228905-2	414045-1
FOR USE WITH CABLE	⑦ GASKET QTY=1	⑤ FERRULE QTY=1	④ LOCKWASHER QTY=1	③ JAM NUT QTY=1	② CONTACT QTY=1	① JACK, BULKHEAD QTY=1	PART NUMBER

PART NO	
DO NOT SCALE PRINT. UNLESS SPECIFIED DIMENSIONS IN INCHES TOLERANCES ON: 2 PLC DEC ± - 3 PLC DEC ± 0.406 [1.016] ANGLES ± - MATERIAL -	DR M. SNEED 12-4-90 CHK R. HENRY 12-4-90 APPD R. HENRY 12-4-90 APPD M. SNEED 12-4-90 PRODUCT SPEC - FINISH - APPLICATION SPEC - WEIGHT -
AMP INCORPORATED Harrisburg, Pa. 17108	NAME JACK, BULKHEAD, MINIATURE UHF
SIZE C CAGE CODE 00779 SCALE 5:1	DRAWING NO 414045 SHEET 1 OF 1

CUSTOMER DRAWING