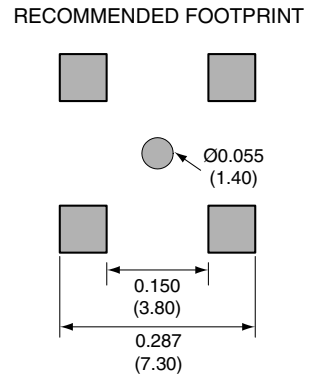
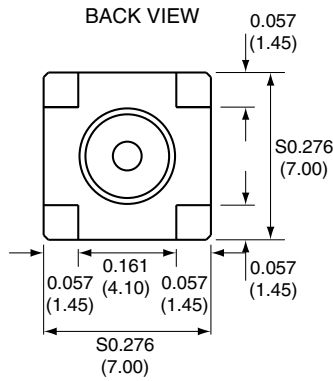
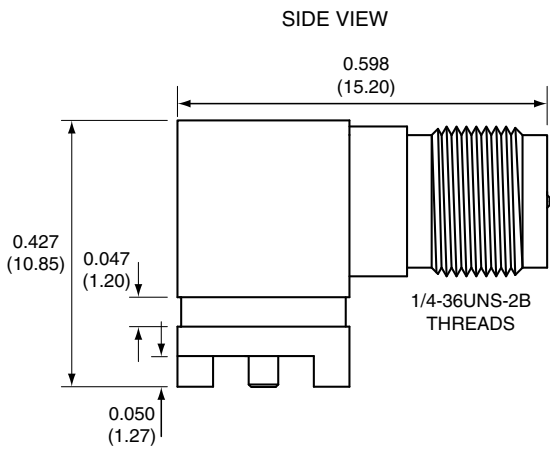


| 1           |          |        |
|-------------|----------|--------|
| Description | Material | Finish |
| Body        | Brass    | Nickel |
| Pin         | Brass    | Gold   |
| Insulation  | Teflon   | Teflon |



|   |                   |  |
|---|-------------------|--|
| Title<br>RP-SMA FEMALE RIGHT<br>ANGLE SURFACE MOUNT |                   | CONNECTOR CITY<br>159 ORT LANE<br>MERLIN, OR 97532 |
| Part No.<br>CONREVSM002-SMD                         | Revision:<br>1.0  | PH (541)-471-6256<br>FAX (541)-471-6251            |
| Dimensions:<br>INCHES (mm)                          | Date:<br>6/7/2007 | Sheet 1 of 1                                       |

