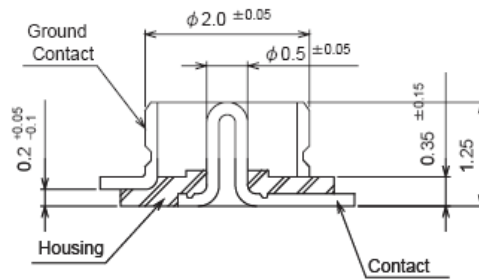
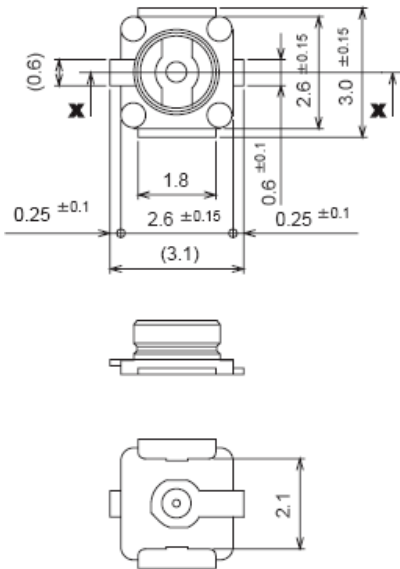


**RoHS** ✓



Notes: Material

1. Housing: LCP, UL94V-0, white
2. Contact: Brass, gold plating
3. Ground Contact: phosphor bronze, gold plating

**taoglas limited**

IPEX MHF I (U.FL) receptacle

DWG No	Part No	Unit	REV.
20279	RECE.20279.001E	mm	1