

**Model 73016**  
**MCX PLUG R/A SEMI-RIGID, RG402**



Model 73016 MCX PLUG R/A SEMI-RIGID, RG402

Snap-on coupling and miniature size for fast connect and disconnect where space is limited.

**Features**

- DC - 3 GHz bandwidth.
- 30% smaller than SMB connectors.
- Meets CECC 22220.
- Perfect for applications where space, weight, performance and ease of assembly are required.
- Precision machined and gold-plated for low loss.

**Materials**

- Body is machined brass with gold plating.
- Center contacts – Plug is gold plated brass and Jack is gold plated beryllium copper.
- High quality PTFE insulators.
- Crimp Ferrules are gold or nickel plated copper.

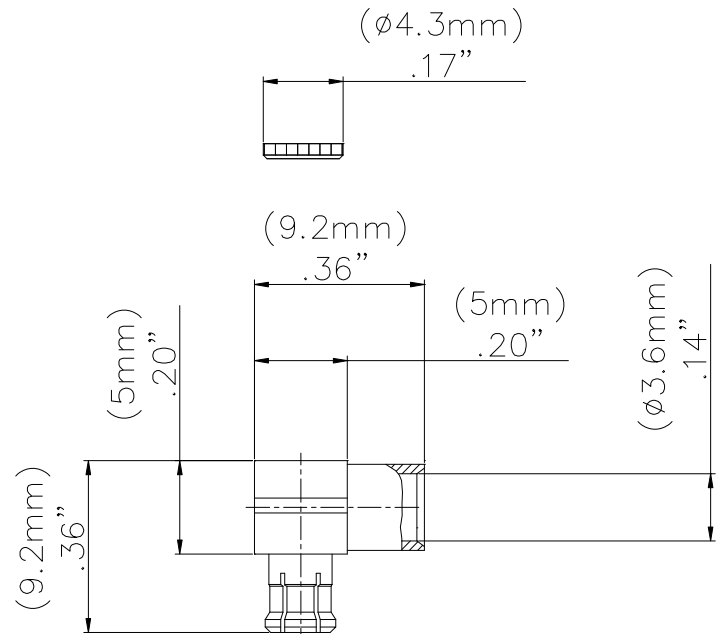
**Ordering Information**

Model: 73016  
Description: MCX PLUG R/A SEMI-RIGID, RG402

**USA:** Sales: 800-490-2361  
Technical Support: [technicalsupport@pomonatest.com](mailto:technicalsupport@pomonatest.com)  
Fax: 425-446-5844

**Europe:** 31-(0) 40 2675 150    **International:** 425-446-5500

**Where to Buy:** [www.pomonaelectronics.com](http://www.pomonaelectronics.com)



**Specifications**

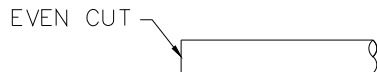
|                                   |                                    |
|-----------------------------------|------------------------------------|
| Impedance                         | 50 $\Omega$                        |
| Frequency Range                   | DC - 3 GHz                         |
| VSWR                              | 1.4 max.                           |
| Working Voltage                   | 170 Vrms max.                      |
| Dielectric withstand voltage      | 750 Vrms                           |
| Center / Outer contact resistance | 5 / 2.5 m $\Omega$                 |
| Number of insertions              | 500 cycles min.                    |
| Insulation resistance             | 1,000 M $\Omega$ min.              |
| Temperature Range                 | -55° C to 155° C, -67° F to 311° F |

All dimensions are in inches. Tolerances (except noted): .xx =  $\pm 0.02$ " (.51 mm), .xxx =  $\pm 0.005$ " (.127 mm). All specifications are to the latest revisions. Specifications are subject to change without notice. Registered trademarks are the property of their respective companies.  
D2003452 REV 001

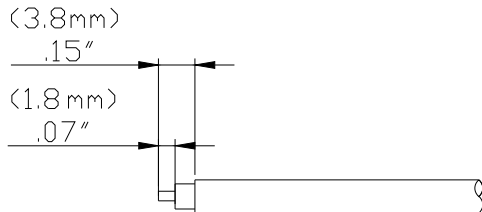
**Model 73016**  
**MCX PLUG R/A SEMI-RIGID, RG402**

**Cable Assembly Instructions**

1. CUT CABLE END EVENLY AND PERPENDICULAR

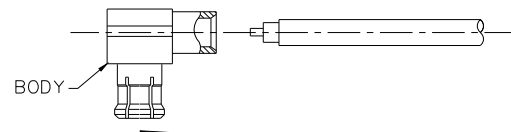


2. STRIP CABLE JACKET, BRAID, AND DIELECTRIC TO SPECIFICATION LENGTHS.

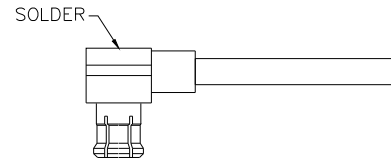


RECOMMENDED STRIP LENGTHS

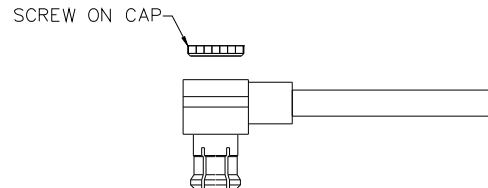
3. SLIDE CONNECTOR BODY OVER CENTER CONDUCTOR, DIELECTRIC AND CABLE JACKET.



4. SOLDER CABLE CENTER CONDUCTOR TO CENTER CONTACT.



5. PRESS ON CAP AS SHOWN.



**USA:** Sales: 800-490-2361  
 Technical Support: [technicalsupport@pomonatest.com](mailto:technicalsupport@pomonatest.com)  
 Fax: 425-446-5844  
**Europe:** 31-(0) 40 2675 150 **International:** 425-446-5500  
**Where to Buy:** [www.pomonaelectronics.com](http://www.pomonaelectronics.com)

All dimensions are in inches. Tolerances (except noted): .xx = ±.02" (.51 mm), .xxx = ±.005" (.127 mm). All specifications are to the latest revisions. Specifications are subject to change without notice. Registered trademarks are the property of their respective companies.  
 D2003452 REV 001