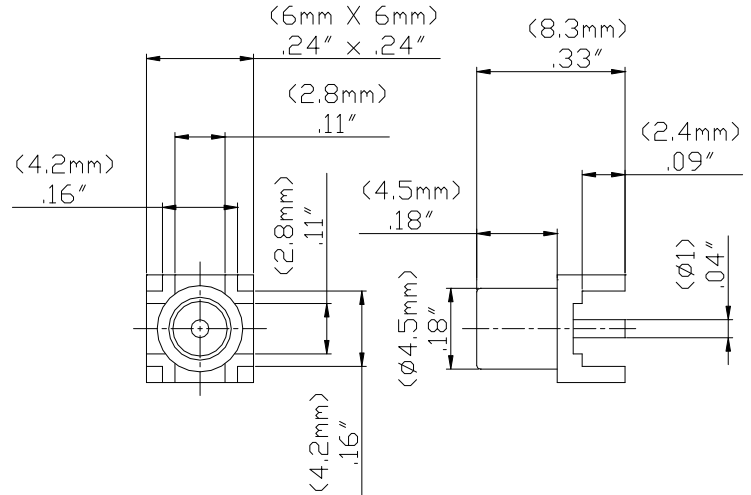


**Model 73007  
MCX JACK STRAIGHT PCB RECEPTACLE**



Model 73007 MCX JACK STRAIGHT PCB RECEPTACLE

Snap-on coupling and miniature size for fast connect and disconnect where space is limited.

**Features**

- DC - 3 GHz bandwidth.
- 30% smaller than SMB connectors.
- Meets CECC 22220.
- Perfect for applications where space, weight, performance and ease of assembly are required.
- Precision machined and gold-plated for low loss.

**Materials**

- Body is machined brass with gold plating.
- Center contacts – Plug is gold plated brass and Jack is gold plated beryllium copper.
- High quality PTFE insulators.
- Crimp Ferrules are gold or nickel plated copper.

**Specifications**

|                                   |                                    |
|-----------------------------------|------------------------------------|
| Impedance                         | 50 Ω                               |
| Frequency Range                   | DC - 3 GHz                         |
| VSWR                              | 1.35 max.                          |
| Working Voltage                   | 170 Vrms max.                      |
| Dielectric withstand voltage      | 750 Vrms                           |
| Center / Outer contact resistance | 5 / 2.5 mΩ                         |
| Number of insertions              | 500 cycles min.                    |
| Insulation resistance             | 1,000 MΩ min.                      |
| Temperature Range                 | -55° C to 155° C, -67° F to 311° F |

**Ordering Information**

Model: 73007  
Description: MCX JACK STRAIGHT PCB RECEPTACLE

USA: Sales: 800-490-2361  
Technical Support: [technicalsupport@pomonatest.com](mailto:technicalsupport@pomonatest.com)  
Fax: 425-446-5844

Europe: 31-(0) 40 2675 150 International: 425-446-5500

Where to Buy: [www.pomonaelectronics.com](http://www.pomonaelectronics.com)

All dimensions are in inches. Tolerances (except noted): .xx = ±.02" (.51 mm), .xxx = ±.005" (.127 mm). All specifications are to the latest revisions. Specifications are subject to change without notice. Registered trademarks are the property of their respective companies.  
D2003444 REV 001