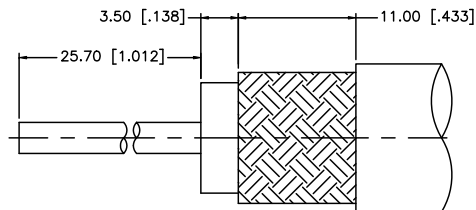
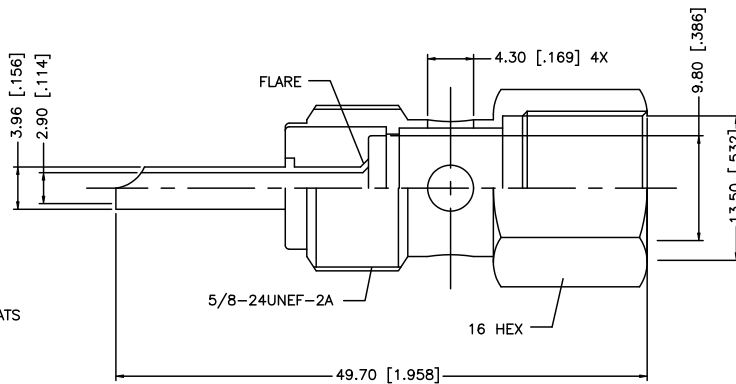
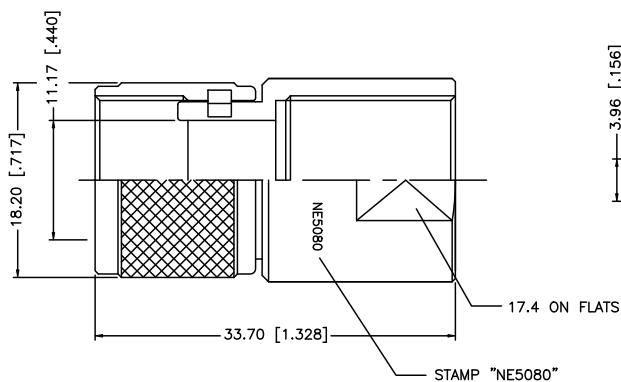


REV.	DATE	ECR NO.	DESCRIPTION
A	01/07/97	-	MODIFY BODY (HOLES AND CUT PIN)
B	03/07/97	-	MODIFY BODY LENGTH AND STRIPPING LENGTH
C	09/11/97	-	REVISE SHELL LENGTH/ Ø4.3 HOLE DIA.
D	01/07/09	-	UPDATE DRAWING FORMAT/ INCREASE LENGTH OF 16 HEX



RECOMMENDED
CABLE STRIPPING DIM'S



				UNLESS OTHERWISE SPECIFIED DIMENSIONS ARE IN MILLIMETERS. DIMENSIONS IN [] ARE IN INCHES AND FOR CUSTOMER REFERENCE ONLY.	APPROVALS	DATE	Amphenol Connex			
8					DRAWN	GRS		01/07/09		
7					CHECKED					
6					ISSUED					
5	BODY	BRASS	SILVER	1	SHEET	1 OF 1				
4	CONTACT PIN	BRASS	GOLD	1	PART DESCRIPTION					
3	INSULATOR	PTFE	NATURAL	1	UHF TWIST-ON PLUG					
2	SHELL	BRASS	SILVER	1	PART NO.					
1	BODY	BRASS	SILVER	1	182124					
DESCRIPTION				MATERIAL	FINISH	QTY	DWG. NO.	REV. D	SIZE A	SCALE NA
				DO NOT SCALE DRAWING	CAD FILE C:/182/182124.DWG		182124.DWG			

UNLESS OTHERWISE SPECIFIED DIMENSIONS ARE IN MILLIMETERS. DIMENSIONS IN [] ARE IN INCHES AND FOR CUSTOMER REFERENCE ONLY.

UNLESS OTHERWISE SPECIFIED TOLERANCES FOR MILLIMETERS ARE:
0.5 - 8mm ± 0.20mm
8 - 30mm ± 0.40mm
30 - 120mm ± 0.50mm

UNLESS OTHERWISE SPECIFIED TOLERANCES FOR INCHES ARE:
.020 - .315 = ± 0.007"
.315 - 1.180 = ± 0.015"
1.180 - 4.724 = ± 0.020"