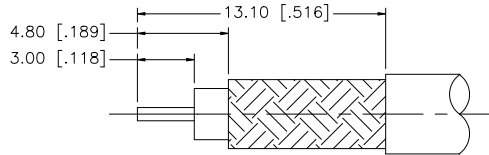
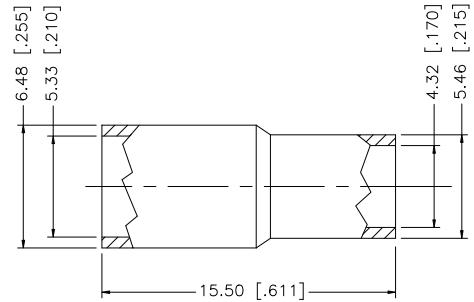
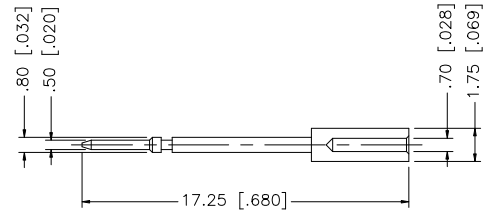
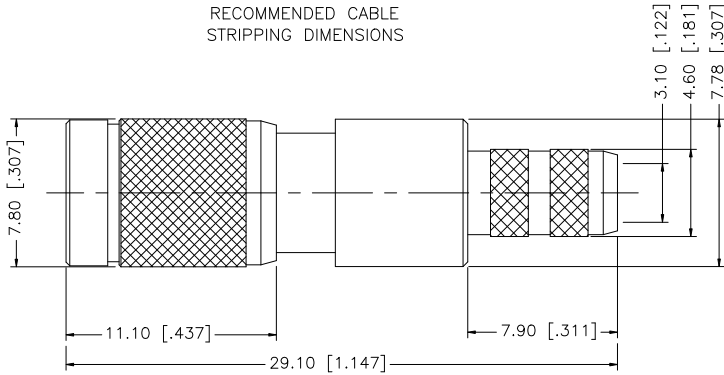


REV.	DATE	ECR NO.	DESCRIPTION
NC	01/05/07	-	INITIAL RELEASE
A	06/07/07	-	REVISE BODY LENGTH AND DIAMETER, REVISE CONTACT PIN
B	01/28/08	-	ADD CABLE STRIPPING DIMENSIONS
C	05/25/08	100019	REVISE BODY AND CONTACT PIN DESIGN
D	07/21/08	-	ADD MID BODY DIA. DIMENSION 7.78 [.307]



RECOMMENDED CABLE STRIPPING DIMENSIONS



NOTE:

1. CRIMPED FERRULE HEX CRIMP SIZE .213"
2. CONTACT PIN TO SOLDER.

DESCRIPTION	MATERIAL	FINISH	QTY	DO NOT SCALE DRAWING	APPROVALS	DATE	Amphenol Connex				
8					DRAWN	G.R.S.	07/21/08	<b>1.0/2.3 PUSH-PULL CRIMP PLUG (FOR BELDEN 1855A CABLE)</b>			
7				CHECKED			PART DESCRIPTION				
6				ISSUED			PART NO.				
5				SHEET	1 OF 1		282122-75				
4	FERRULE	COPPER	GOLD	1	CAD FILE	C:/282/282122-75.DWG	DWG. NO.				282122-75.DWG
3	CONTACT PIN	BRASS	GOLD	1	<small>UNLESS OTHERWISE SPECIFIED DIMENSIONS ARE IN MILLIMETERS. DIMENSIONS IN [ ] ARE IN INCHES AND FOR CUSTOMER REFERENCE ONLY.</small> <small>UNLESS OTHERWISE SPECIFIED TOLERANCES FOR MILLIMETERS ARE:</small> 0.5 - 8mm ± 0.20mm 8 - 30mm ± 0.40mm 30 - 120mm ± 0.50mm <small>UNLESS OTHERWISE SPECIFIED TOLERANCES FOR INCHES ARE:</small> .020 - .315 = ± 0.007" .315 - 1.180 = ± 0.015" 1.180 - 4.724 = ± 0.020"						
2	INSULATOR	PTFE	NATURAL	1							
1	BODY	BRASS	NICKEL	1							