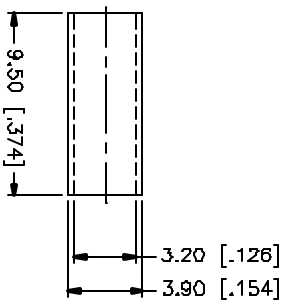
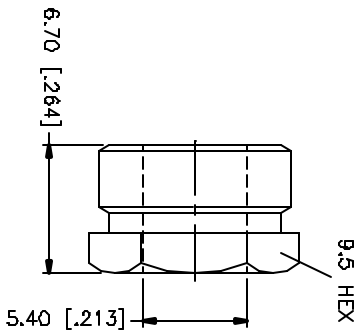
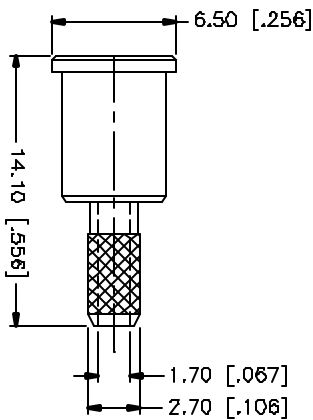
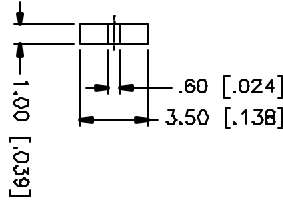
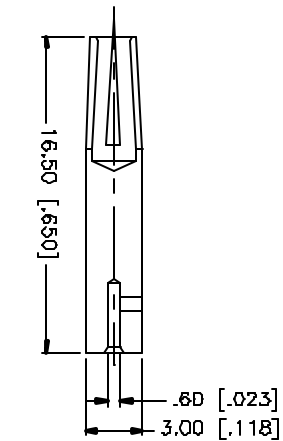
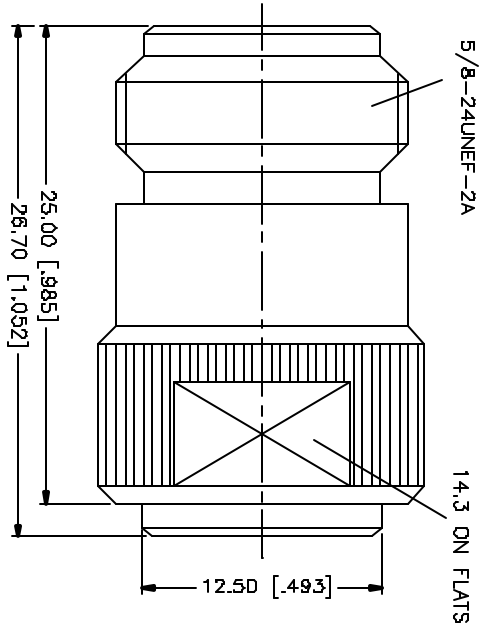
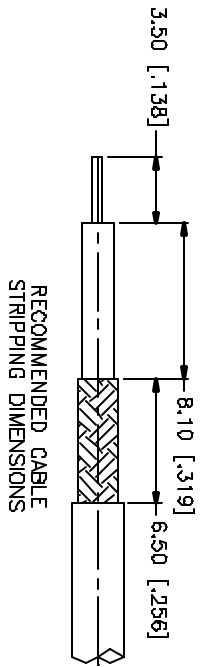


REV.	DATE	DESCRIPTION
A	12/16/04	UPDATE BARREL LENGTH TO 14.1mm
B	05/22/05	MODIFY PLATING SPEC



NO.	DESCRIPTION	MATERIAL	FINISH	QTY
1	INSULATOR BODY	BRASS	NEXCOTE	1
2	CONTACT PIN	PHOS. BRONZE	GOLD	1
3	BARREL	BRASS	NEXCOTE	1
4	HEX NUT	BRASS	NEXCOTE	1
5	FERRULE	COPPER	NEXCOTE	1

APPROVALS	DATE
DRAWN C.R.S.	05/22/05
CHECKED	
ISSUED	
SHEET 1 OF 1	

PART DESCRIPTION	PART NO.
N STRAIGHT CRIMP JACK (FOR RG-174/U, 188A/U, 316/U)	172204

DWG. NO.	REV.	SIZE	SCALE
172204.DWG	B	A	NA

**Amphenol Connex**

N STRAIGHT CRIMP JACK  
(FOR RG-174/U, 188A/U, 316/U)

172204