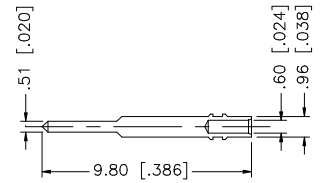
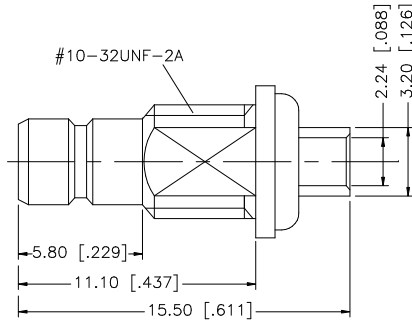
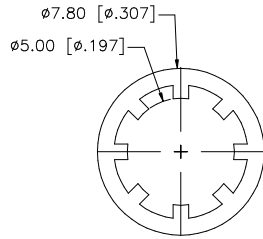
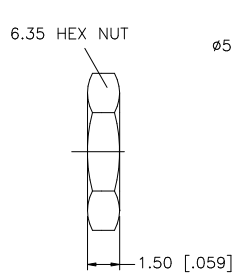
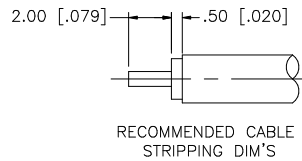
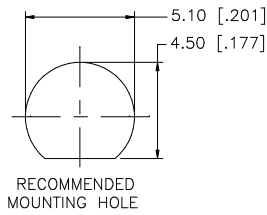


REV.	DATE	DESCRIPTION
A	01/25/04	UPDATE DRAWING FORMAT



NOTE:

- CONTACT PIN TO SOLDER OR CRIMPED CONTACT PIN SQ. CRIMP SIZE 0.7(mm)
- MAX. PANEL THICKNESS = 2.4mm

				UNLESS OTHERWISE SPECIFIED DIMENSIONS ARE IN MILLIMETERS. DIMENSIONS IN [] ARE IN INCHES AND FOR CUSTOMER REFERENCE ONLY.	APPROVALS	DATE	Amphenol Connex
8					DRAWN	G.R.S.	
7					CHECKED		
6					ISSUED		
5	HEX NUT	BRASS	GOLD	1	SHEET	1 OF 1	PART DESCRIPTION
4	LOCK WASHER	BRASS	GOLD	1			SMB BULKHEAD DIRECT SOLDER JACK (FOR 0.85", 0.86" CABLE)
3	CONTACT PIN	BRASS	GOLD	1			PART NO.
2	INSULATOR	TEFLON	NATURAL	2			142301
1	BODY	BRASS	GOLD	1	CAD FILE	C:/142/142301.DWG	DWG. NO. 142301.DWG
	DESCRIPTION	MATERIAL	FINISH	QTY			REV. A
							SIZE A
							SCALE NA

UNLESS OTHERWISE SPECIFIED TOLERANCES FOR MILLIMETERS ARE:
0.5 - 8mm ± 0.20mm
8 - 30mm ± 0.40mm
30 - 120mm ± 0.50mm

UNLESS OTHERWISE SPECIFIED TOLERANCES FOR INCHES ARE:
.020 - .315 = ± 0.007"
.315 - 1.180 = ± 0.015"
1.180 - 4.724 = ± 0.020"

DO NOT SCALE DRAWING