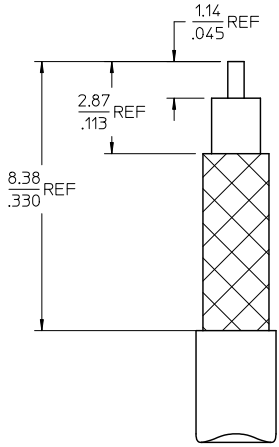


MATERIALS AND FINISHES:

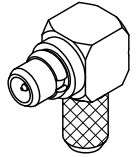
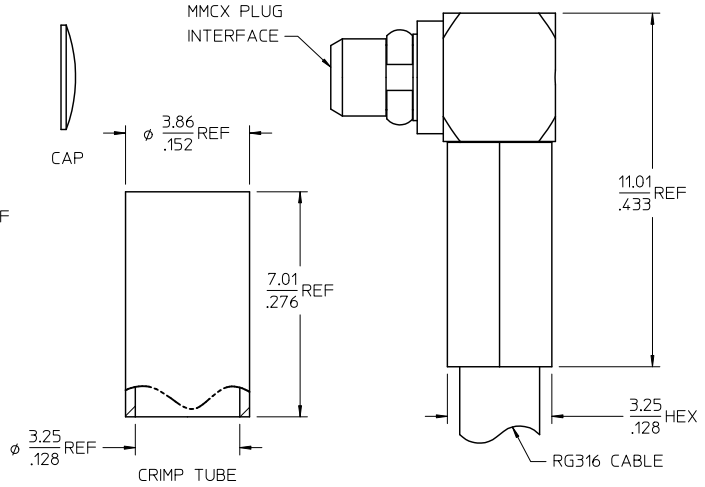
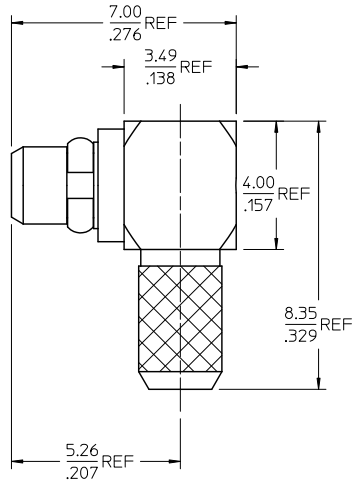
BODY, CAP, CRIMP TUBE,
CONTACT: BRASS
FINISH: GOLD

SNAP RING: BERYLLIUM COPPER
FINISH: GOLD

INSULATOR: TEFLON



CABLE STRIP DIMENSIONS



ES-73599-0000-015	INTERFACE
PS-89675-1930	ELECTRO/MECH PERFORM.
SPECIFICATION	DESCRIPTION

73415-1123	BODY(10), CAP(10), TUBE(10), CONTACT(30), RING(30)u"
73415-1122	P/N 73415-1121, ONE PER BAG
73415-1121	PER COMMERCIAL REQUIREMENTS, BULK
73415-1120	PER MILITARY REQUIREMENTS, BULK
PART NO.	PLATING AND PACKAGING

CHG: ADDED -1123 EC NO: URF2011-0427 DRAWN: JLE02 2011/01/13 CHKD: SSS 2011/01/13 APPR: JWIENER 2011/01/13 A5	QUALITY SYMBOLS ▽=0 ▽=0 DESCRIPTION	GENERAL TOLERANCES (UNLESS SPECIFIED) mm INCH		DIMENSION STYLE MM/IN		SCALE	DESIGN UNITS	THIRD ANGLE PROJECTION		
		4 PLACES ±--- ±---	3 PLACES ±--- ±---	2 PLACES ±--- ±---	1 PLACE ±--- ±---	ANGULAR ± 2 °	DRAWN BY TEF	DATE 2000/01/13	TITLE MMCX PLUG, R/A RG316 50 OHMS MMCX-PC	
		DRAFT WHERE APPLICABLE MUST REMAIN WITHIN DIMENSIONS		SIZE C	DIMENSION STYLE SEE TABLE	MATERIAL NO.	DATE 2000/01/13	APPROVED BY GMH	MOLEX INCORPORATED	DOCUMENT NO. SD-73415-112
										SHEET NO. 1 OF 1