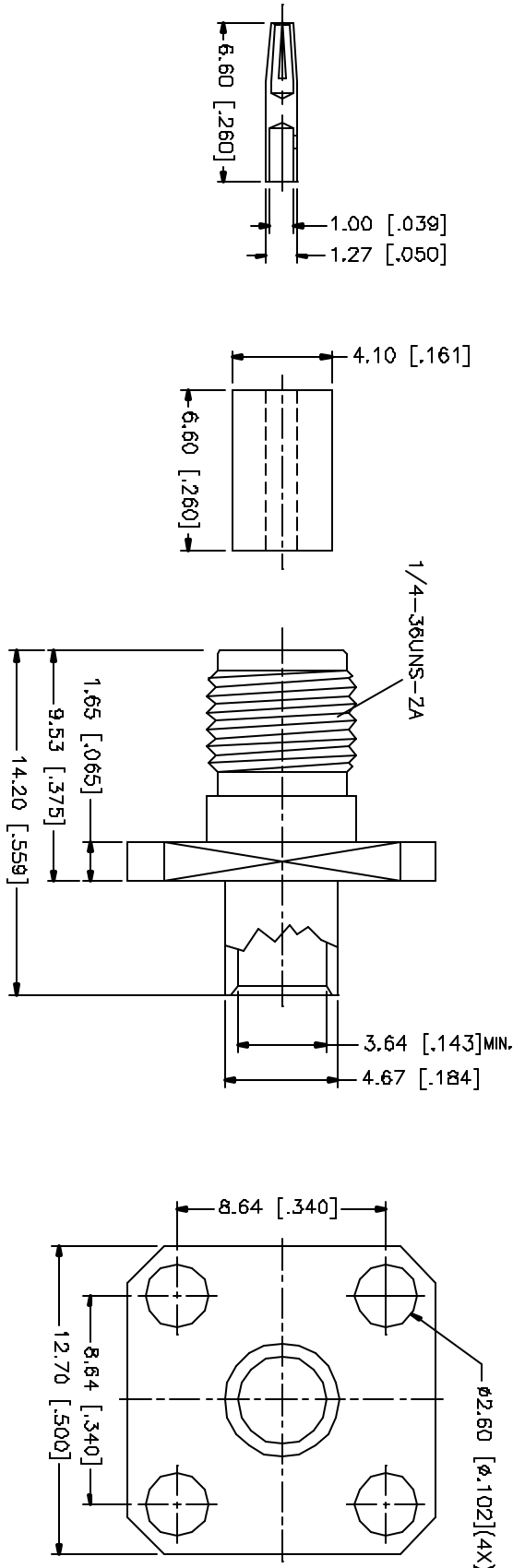
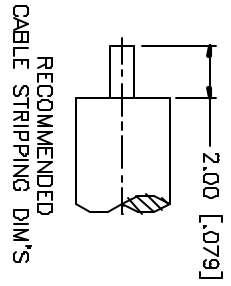


| REV. | DATE | DESCRIPTION |
|------|----------|-----------------------|
| A | 05/24/05 | UPDATE DRAWING FORMAT |



| REV | DESCRIPTION | MATERIAL | FINISH | QTY |
|-----|----------------|--------------|--------------|-----|
| 1 | CONTACT PIN | BER. COPPER | GOLD | 1 |
| 2 | INSULATOR BODY | TEFLON BRASS | NATURAL GOLD | 1 |
| 3 | INSULATOR BODY | TEFLON BRASS | NATURAL GOLD | 1 |
| 4 | INSULATOR BODY | TEFLON BRASS | NATURAL GOLD | 1 |
| 5 | INSULATOR BODY | TEFLON BRASS | NATURAL GOLD | 1 |
| 6 | INSULATOR BODY | TEFLON BRASS | NATURAL GOLD | 1 |
| 7 | INSULATOR BODY | TEFLON BRASS | NATURAL GOLD | 1 |
| 8 | INSULATOR BODY | TEFLON BRASS | NATURAL GOLD | 1 |
| 9 | INSULATOR BODY | TEFLON BRASS | NATURAL GOLD | 1 |
| 10 | INSULATOR BODY | TEFLON BRASS | NATURAL GOLD | 1 |
| 11 | INSULATOR BODY | TEFLON BRASS | NATURAL GOLD | 1 |
| 12 | INSULATOR BODY | TEFLON BRASS | NATURAL GOLD | 1 |
| 13 | INSULATOR BODY | TEFLON BRASS | NATURAL GOLD | 1 |
| 14 | INSULATOR BODY | TEFLON BRASS | NATURAL GOLD | 1 |
| 15 | INSULATOR BODY | TEFLON BRASS | NATURAL GOLD | 1 |
| 16 | INSULATOR BODY | TEFLON BRASS | NATURAL GOLD | 1 |
| 17 | INSULATOR BODY | TEFLON BRASS | NATURAL GOLD | 1 |
| 18 | INSULATOR BODY | TEFLON BRASS | NATURAL GOLD | 1 |
| 19 | INSULATOR BODY | TEFLON BRASS | NATURAL GOLD | 1 |
| 20 | INSULATOR BODY | TEFLON BRASS | NATURAL GOLD | 1 |
| 21 | INSULATOR BODY | TEFLON BRASS | NATURAL GOLD | 1 |
| 22 | INSULATOR BODY | TEFLON BRASS | NATURAL GOLD | 1 |
| 23 | INSULATOR BODY | TEFLON BRASS | NATURAL GOLD | 1 |
| 24 | INSULATOR BODY | TEFLON BRASS | NATURAL GOLD | 1 |
| 25 | INSULATOR BODY | TEFLON BRASS | NATURAL GOLD | 1 |
| 26 | INSULATOR BODY | TEFLON BRASS | NATURAL GOLD | 1 |
| 27 | INSULATOR BODY | TEFLON BRASS | NATURAL GOLD | 1 |
| 28 | INSULATOR BODY | TEFLON BRASS | NATURAL GOLD | 1 |
| 29 | INSULATOR BODY | TEFLON BRASS | NATURAL GOLD | 1 |
| 30 | INSULATOR BODY | TEFLON BRASS | NATURAL GOLD | 1 |
| 31 | INSULATOR BODY | TEFLON BRASS | NATURAL GOLD | 1 |
| 32 | INSULATOR BODY | TEFLON BRASS | NATURAL GOLD | 1 |
| 33 | INSULATOR BODY | TEFLON BRASS | NATURAL GOLD | 1 |
| 34 | INSULATOR BODY | TEFLON BRASS | NATURAL GOLD | 1 |
| 35 | INSULATOR BODY | TEFLON BRASS | NATURAL GOLD | 1 |
| 36 | INSULATOR BODY | TEFLON BRASS | NATURAL GOLD | 1 |
| 37 | INSULATOR BODY | TEFLON BRASS | NATURAL GOLD | 1 |
| 38 | INSULATOR BODY | TEFLON BRASS | NATURAL GOLD | 1 |
| 39 | INSULATOR BODY | TEFLON BRASS | NATURAL GOLD | 1 |
| 40 | INSULATOR BODY | TEFLON BRASS | NATURAL GOLD | 1 |
| 41 | INSULATOR BODY | TEFLON BRASS | NATURAL GOLD | 1 |
| 42 | INSULATOR BODY | TEFLON BRASS | NATURAL GOLD | 1 |
| 43 | INSULATOR BODY | TEFLON BRASS | NATURAL GOLD | 1 |
| 44 | INSULATOR BODY | TEFLON BRASS | NATURAL GOLD | 1 |
| 45 | INSULATOR BODY | TEFLON BRASS | NATURAL GOLD | 1 |
| 46 | INSULATOR BODY | TEFLON BRASS | NATURAL GOLD | 1 |
| 47 | INSULATOR BODY | TEFLON BRASS | NATURAL GOLD | 1 |
| 48 | INSULATOR BODY | TEFLON BRASS | NATURAL GOLD | 1 |
| 49 | INSULATOR BODY | TEFLON BRASS | NATURAL GOLD | 1 |
| 50 | INSULATOR BODY | TEFLON BRASS | NATURAL GOLD | 1 |
| 51 | INSULATOR BODY | TEFLON BRASS | NATURAL GOLD | 1 |
| 52 | INSULATOR BODY | TEFLON BRASS | NATURAL GOLD | 1 |
| 53 | INSULATOR BODY | TEFLON BRASS | NATURAL GOLD | 1 |
| 54 | INSULATOR BODY | TEFLON BRASS | NATURAL GOLD | 1 |
| 55 | INSULATOR BODY | TEFLON BRASS | NATURAL GOLD | 1 |
| 56 | INSULATOR BODY | TEFLON BRASS | NATURAL GOLD | 1 |
| 57 | INSULATOR BODY | TEFLON BRASS | NATURAL GOLD | 1 |
| 58 | INSULATOR BODY | TEFLON BRASS | NATURAL GOLD | 1 |
| 59 | INSULATOR BODY | TEFLON BRASS | NATURAL GOLD | 1 |
| 60 | INSULATOR BODY | TEFLON BRASS | NATURAL GOLD | 1 |
| 61 | INSULATOR BODY | TEFLON BRASS | NATURAL GOLD | 1 |
| 62 | INSULATOR BODY | TEFLON BRASS | NATURAL GOLD | 1 |
| 63 | INSULATOR BODY | TEFLON BRASS | NATURAL GOLD | 1 |
| 64 | INSULATOR BODY | TEFLON BRASS | NATURAL GOLD | 1 |
| 65 | INSULATOR BODY | TEFLON BRASS | NATURAL GOLD | 1 |
| 66 | INSULATOR BODY | TEFLON BRASS | NATURAL GOLD | 1 |
| 67 | INSULATOR BODY | TEFLON BRASS | NATURAL GOLD | 1 |
| 68 | INSULATOR BODY | TEFLON BRASS | NATURAL GOLD | 1 |
| 69 | INSULATOR BODY | TEFLON BRASS | NATURAL GOLD | 1 |
| 70 | INSULATOR BODY | TEFLON BRASS | NATURAL GOLD | 1 |
| 71 | INSULATOR BODY | TEFLON BRASS | NATURAL GOLD | 1 |
| 72 | INSULATOR BODY | TEFLON BRASS | NATURAL GOLD | 1 |
| 73 | INSULATOR BODY | TEFLON BRASS | NATURAL GOLD | 1 |
| 74 | INSULATOR BODY | TEFLON BRASS | NATURAL GOLD | 1 |
| 75 | INSULATOR BODY | TEFLON BRASS | NATURAL GOLD | 1 |
| 76 | INSULATOR BODY | TEFLON BRASS | NATURAL GOLD | 1 |
| 77 | INSULATOR BODY | TEFLON BRASS | NATURAL GOLD | 1 |
| 78 | INSULATOR BODY | TEFLON BRASS | NATURAL GOLD | 1 |
| 79 | INSULATOR BODY | TEFLON BRASS | NATURAL GOLD | 1 |
| 80 | INSULATOR BODY | TEFLON BRASS | NATURAL GOLD | 1 |
| 81 | INSULATOR BODY | TEFLON BRASS | NATURAL GOLD | 1 |
| 82 | INSULATOR BODY | TEFLON BRASS | NATURAL GOLD | 1 |
| 83 | INSULATOR BODY | TEFLON BRASS | NATURAL GOLD | 1 |
| 84 | INSULATOR BODY | TEFLON BRASS | NATURAL GOLD | 1 |
| 85 | INSULATOR BODY | TEFLON BRASS | NATURAL GOLD | 1 |
| 86 | INSULATOR BODY | TEFLON BRASS | NATURAL GOLD | 1 |
| 87 | INSULATOR BODY | TEFLON BRASS | NATURAL GOLD | 1 |
| 88 | INSULATOR BODY | TEFLON BRASS | NATURAL GOLD | 1 |
| 89 | INSULATOR BODY | TEFLON BRASS | NATURAL GOLD | 1 |
| 90 | INSULATOR BODY | TEFLON BRASS | NATURAL GOLD | 1 |
| 91 | INSULATOR BODY | TEFLON BRASS | NATURAL GOLD | 1 |
| 92 | INSULATOR BODY | TEFLON BRASS | NATURAL GOLD | 1 |
| 93 | INSULATOR BODY | TEFLON BRASS | NATURAL GOLD | 1 |
| 94 | INSULATOR BODY | TEFLON BRASS | NATURAL GOLD | 1 |
| 95 | INSULATOR BODY | TEFLON BRASS | NATURAL GOLD | 1 |
| 96 | INSULATOR BODY | TEFLON BRASS | NATURAL GOLD | 1 |
| 97 | INSULATOR BODY | TEFLON BRASS | NATURAL GOLD | 1 |
| 98 | INSULATOR BODY | TEFLON BRASS | NATURAL GOLD | 1 |
| 99 | INSULATOR BODY | TEFLON BRASS | NATURAL GOLD | 1 |
| 100 | INSULATOR BODY | TEFLON BRASS | NATURAL GOLD | 1 |

Amphenol Connex

SMA 4-HOLE PANEL JACK
(FOR .141" SEMI-RIGID CABLE)

132108

| APPROVALS | DATE |
|---------------|----------|
| DRAWN: G.R.S. | 05/24/05 |
| CHECKED: | |
| ISSUED: | |
| SHEET: 1 OF 1 | |

| | |
|-----------|-------------------|
| APP. FILE | C:/132/132108.DWG |
| DWG. NO. | 132108.DWG |
| REV. | A |
| SIZE | A |
| SCALE | NA |