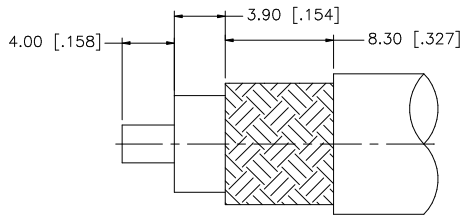
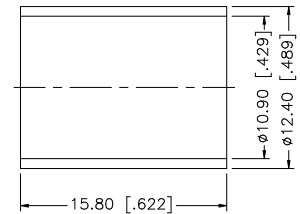
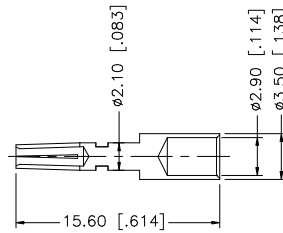
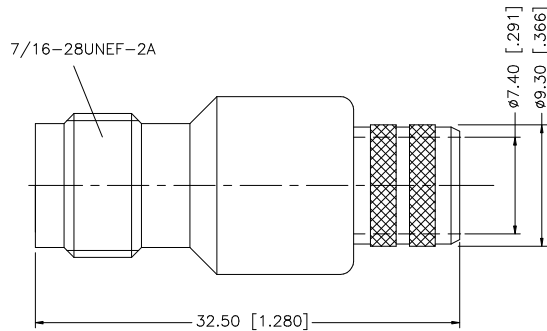


REV.	DATE	DESCRIPTION
NC	04/15/98	INITIAL RELEASE
A	01/31/07	UPDATE DRAWING FORMAT



RECOMMENDED
CABLE STRIPPING DIM'S



NOTE:

1. CRIMPED FERRULE HEX CRIMP SIZE .429"
2. CRIMPED CONTACT PIN HEX CRIMP SIZE .118"

DESCRIPTION	MATERIAL	FINISH	QTY	UNLESS OTHERWISE SPECIFIED DIMENSIONS ARE IN MILLIMETERS. DIMENSIONS IN [] ARE IN INCHES AND FOR CUSTOMER REFERENCE ONLY.	APPROVALS	DATE	Amphenol Connex			
8					DRAWN	G.R.S.	01/31/07	PART DESCRIPTION TNC CRIMP JACK (FOR BELDEN 8214, 9913, LMR400 CABLE)		
7					CHECKED					
6					ISSUED					
5					SHEET	1 OF 1				
4	FERRULE	COPPER	NICKEL	1	CAD FILE C:/122/122392.DWG			PART NO. 122392		
3	CONTACT PIN	PHOS. BRONZE	GOLD	1				DWG. NO. 122392.DWG		
2	INSULATOR	TEFLON	NATURAL	1				REV. A	SIZE A	SCALE NA
1	BODY	BRASS	NICKEL	1						

UNLESS OTHERWISE SPECIFIED DIMENSIONS ARE IN MILLIMETERS. DIMENSIONS IN [] ARE IN INCHES AND FOR CUSTOMER REFERENCE ONLY.

UNLESS OTHERWISE SPECIFIED TOLERANCES FOR MILLIMETERS ARE:
0.5 - 8mm ± 0.20mm
8 - 30mm ± 0.40mm
30 - 120mm ± 0.50mm

UNLESS OTHERWISE SPECIFIED TOLERANCES FOR INCHES ARE:
.020 - .315 = ± 0.007"
.315 - 1.180 = ± 0.015"
1.180 - 4.724 = ± 0.020"

DO NOT SCALE DRAWING