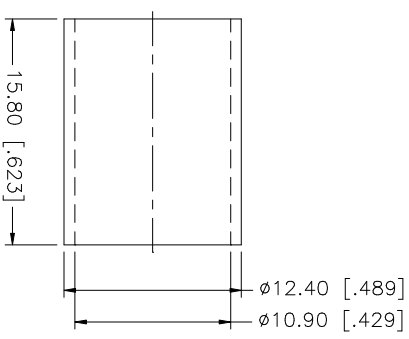
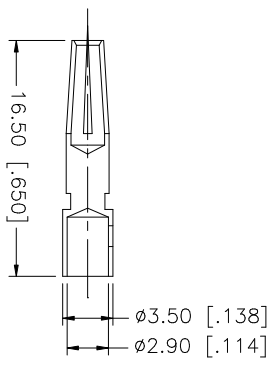
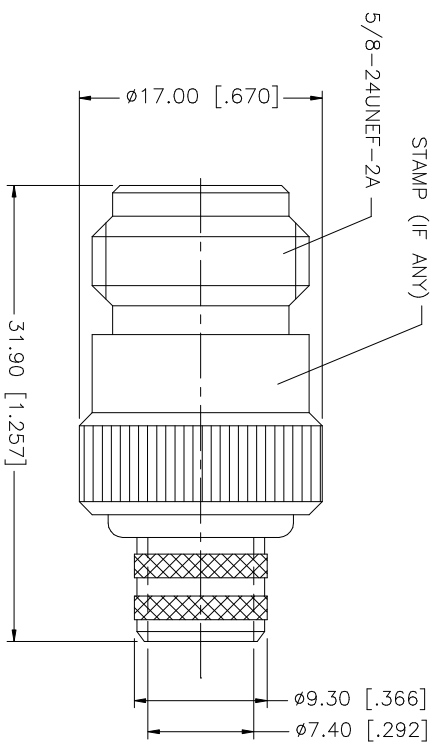
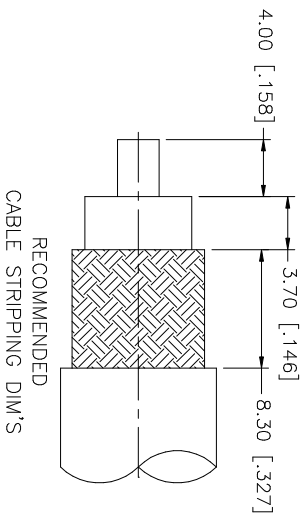


REV.	DATE	DESCRIPTION
A	04/31/03	UPDATE DRAWING FORMAT



NOTE:
 1. CRIMPED FERRULE
 HEX. CRIMP SIZE .429"
 2. CRIMPED CONTACT PIN
 HEX CRIMP SIZE .118"

QTY	FINISH	MATERIAL	DESCRIPTION
1	NEXCOTE	COPPER	FERRULE
1	GOLD	PHOS. BRONZE	CONTACT PIN
1	NATURAL	TEFLON	INSULATOR
1	NEXCOTE	BRASS	BODY

APPROVALS	DATE
DRAWN G.R.S.	04/31/03
CHECKED	
ISSUED	
SHEET 1 OF 1	

DO NOT SCALE DRAWING	QTY	FINISH	MATERIAL	DESCRIPTION
UNLESS OTHERWISE SPECIFIED DIMENSIONS ARE IN MILLIMETERS. DIMENSIONS IN [] ARE IN INCHES AND FOR CUSTOMER REFERENCE ONLY. UNLESS OTHERWISE SPECIFIED TOLERANCES FOR MILLIMETERS ARE: 0.5 - 8mm ± 0.20mm 8 - 30mm ± 0.40mm 30 - 120mm ± 0.50mm UNLESS OTHERWISE SPECIFIED TOLERANCES FOR INCHES ARE: .020 - .315 = ± 0.007" .315 - 1.180 = ± 0.015" 1.180 - 4.724 = ± 0.020"	1	NEXCOTE	COPPER	FERRULE
	1	GOLD	PHOS. BRONZE	CONTACT PIN
	1	NATURAL	TEFLON	INSULATOR
	1	NEXCOTE	BRASS	BODY

CAD FILE	DWG. NO.	REV.	SIZE	SCALE
C:/172/172203.DWG	172203.DWG	A	A	NA

Amphenol Connex

N CRIMP JACK
 (FOR BELDEN 9913, 9914, LMR400 CABLE)

172203