

MATERIALS AND FINISHES

BODY ZINC ALLOY
PLATED NICKEL

HOUSING POLYESTER BUTYLENE TEREPHTHALATE(WHITE)

CENTER CONTACT PHOSPHOR BRONZE
PLATED GOLD

INSULATOR TEFLON

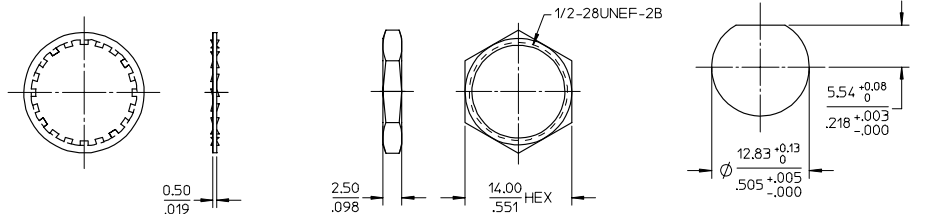
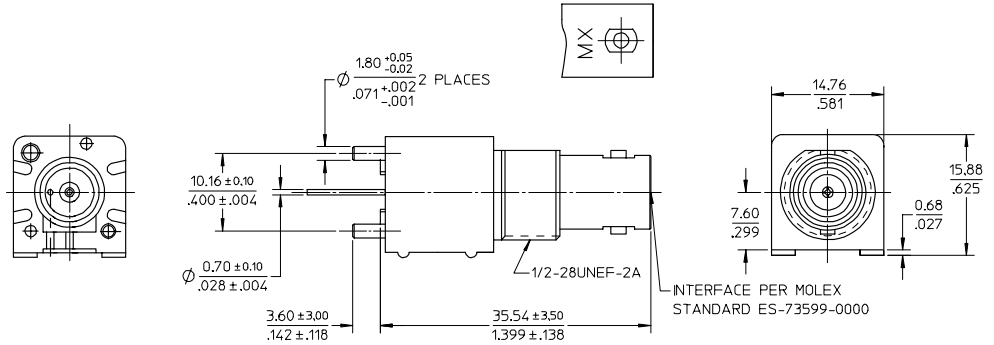
MOUNTING POST BRASS
PLATED TIN

SOLDER TAIL BRASS WIRE
PLATED TIN

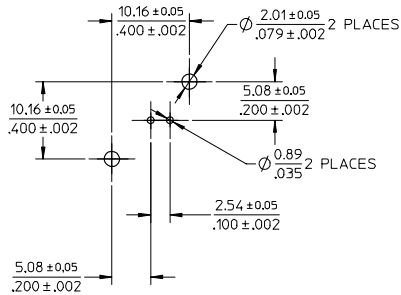
WASHER PHOSPHOR BRONZE
PLATED NICKEL

NUT BRASS
PLATED NICKEL

MECHANICAL & ELECTRICAL CHARACTERISTICS:
PER PRODUCT SPECIFICATION PS-73598-0060



RECOMMENDED MOUNTING HOLE
MAXIMUM PANEL THICKNESS:5.50MM
RECOMMENDED MOUNTING TORQUE
12 inch-pounds MAX.



PCB HOLE CONFIGURATION

ENTER DESCRIPTION EC NO. URF:2005-0553 DRAWN:CLL 2005/06/28 CHKD: 2005/06/29 APPR:HUANG 2005/06/29	QUALITY SYMBOLS	GENERAL TOLERANCES (UNLESS SPECIFIED)	DIMENSION STYLE	SCALE	DESIGN UNITS	THIRD ANGLE PROJECTION
	▽=0 ▽=0		MM/IN	---	METRIC	☉ □
A	4 PLACES	± --- ± ---	DRAWN BY	DATE	TITLE	
	3 PLACES	± --- ± ---	CLL	2005/06/06	BNC 75 OHM VERTICAL PCB RECEPTACLE BNC-J/PCB	
REV	2 PLACES	± 0.13 ± ---	CHECKED BY	DATE	MOLEX INCORPORATED	
	1 PLACE	± 0.25 ± ---	PENNY	2005/06/06	MATERIAL NO. 73101-0680 DOCUMENT NO. SD-73101-068 SHEET NO. 1 OF 1	
	ANGULAR ± 2 °		APPROVED BY	DATE	THIS DRAWING CONTAINS INFORMATION THAT IS PROPRIETARY TO MOLEX INCORPORATED AND SHOULD NOT BE USED WITHOUT WRITTEN PERMISSION	
	DRAFT WHERE APPLICABLE MUST REMAIN WITHIN DIMENSIONS		MISEN	2005/06/06		