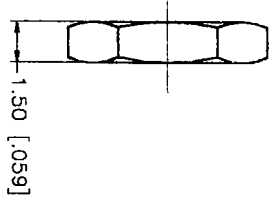
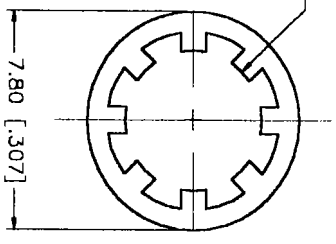
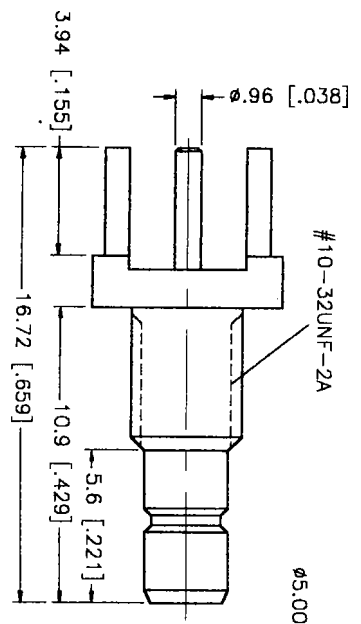
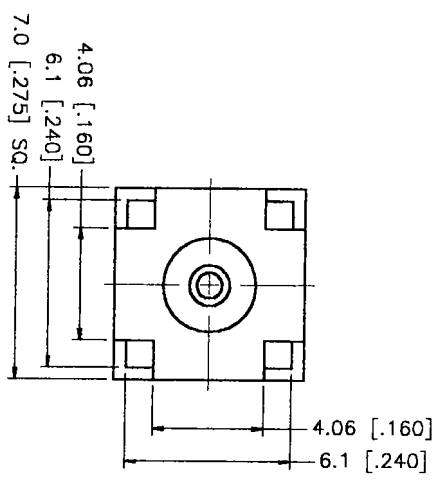
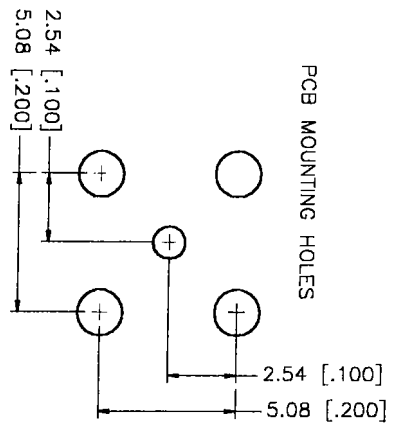


REV.	DATE	DESCRIPTION
NC	01/29/98	INITIAL RELEASE



DESCRIPTION	MATERIAL	FINISH	UNLESS OTHERWISE SPECIFIED DIMENSIONS ARE IN MILLIMETERS FOR CUSTOMER REFERENCE ONLY	APPROVALS	DATE	TITLE	
1 BODY	BRASS	GOLD	UNLESS OTHERWISE SPECIFIED DIMENSIONS IN () ARE IN INCHES DIMENSIONS IN [] ARE IN MILLIMETERS TOLERANCES FOR MILLIMETERS ARE: 0.5-6 = ± 0.2 6-30 = ± 0.4 30-120 = ± 0.6 120-315 = ± 1 315-1000 = ± 1.6 1000-2000 = ± 2.4	DRAWN	01/29/98	comnex Connector Corporation SMB P.C.B. BULKHEAD RECEPTACLE	
2 INSULATOR	TEFLON	NATURAL		CHECKED	G.R.S.		
3 CONTACT PIN	BRASS	GOLD		ISSUED			
4 LOCK WASHER	BRASS	GOLD					
5 HEX NUT	BRASS	GOLD					
6							
7							
8				DO NOT SCALE DRAWING			

SIZE	FSCM NO.	DWG. NO.	REV.
A	99001	142210.DWG	NC

SCALE	PART NO.	SHEET
NA	142210	1 OF 1