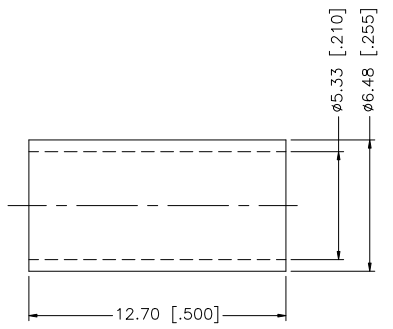
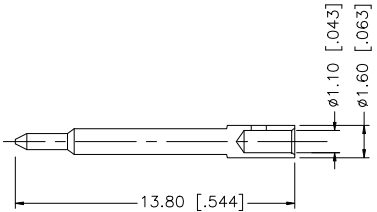
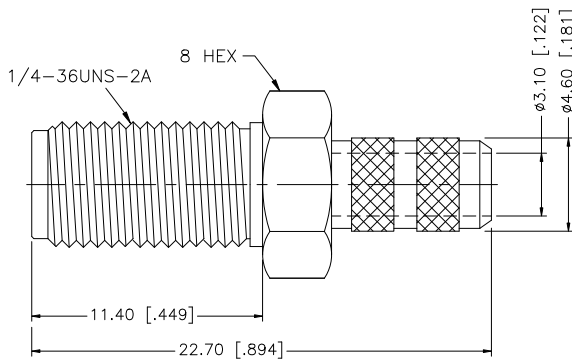
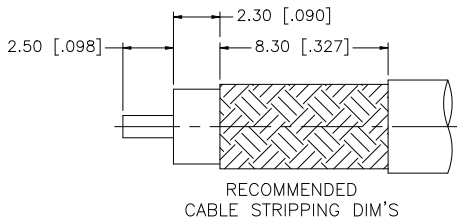


REV.	DATE	DESCRIPTION
NC	10/10/07	INITIAL RELEASE



DESCRIPTION	MATERIAL	FINISH	QTY	DO NOT SCALE DRAWING	APPROVALS	DATE	Amphenol Connex							
8				<small>UNLESS OTHERWISE SPECIFIED DIMENSIONS ARE IN MILLIMETERS; DIMENSIONS IN [ ] ARE IN INCHES AND FOR CUSTOMER REFERENCE ONLY.</small> <small>UNLESS OTHERWISE SPECIFIED TOLERANCES FOR MILLIMETERS ARE:</small> 0.5 - 8mm ± 0.20mm 8 - 30mm ± 0.40mm 30 - 120mm ± 0.50mm <small>UNLESS OTHERWISE SPECIFIED TOLERANCES FOR INCHES ARE:</small> .020 - .315 = ± 0.007" .315 - 1.180 = ± 0.015" 1.180 - 4.724 = ± 0.020"	DRAWN	G.R.S.	10/10/07	<b>SMA REVERSE POLARITY CRIMP JACK (FOR RG-58/U, 58C/U CABLE)</b>						
7			CHECKED				PART DESCRIPTION							
6					ISSUED						PART NO.			
5					SHEET	1 OF 1					132116RP			
4	FERRULE	COPPER	GOLD	1	CAD FILE	C:/132/132116RP.DWG	DWG. NO.	132116RP.DWG	REV.	NC	SIZE	A	SCALE	NA
3	CONTACT PIN	BRASS	GOLD	1										
2	INSULATOR	TEFLON	NATURAL	1										
1	BODY	BRASS	GOLD	1										