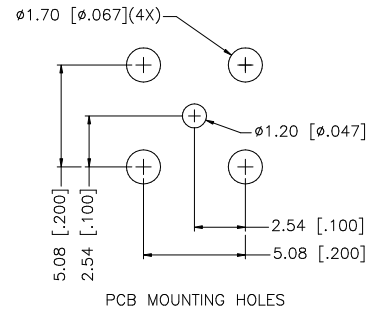
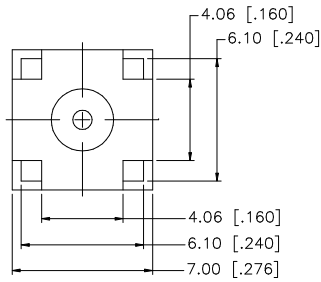
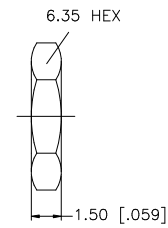
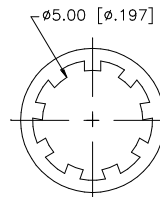
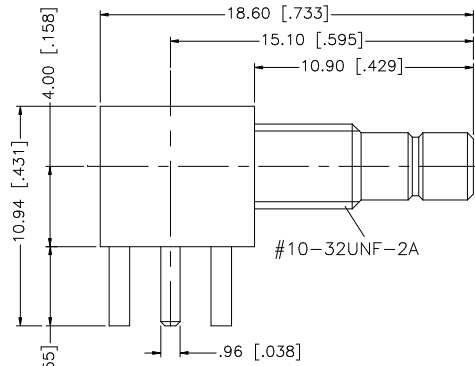


REV.	DATE	DESCRIPTION
NC	07/20/05	INITIAL RELEASE



8				<small>UNLESS OTHERWISE SPECIFIED DIMENSIONS ARE IN MILLIMETERS. DIMENSIONS IN [] ARE IN INCHES AND FOR CUSTOMER REFERENCE ONLY.</small> <small>UNLESS OTHERWISE SPECIFIED TOLERANCES FOR MILLIMETERS ARE:</small> 0.5 - 8mm ± 0.20mm 8 - 30mm ± 0.40mm 30 - 120mm ± 0.50mm <small>UNLESS OTHERWISE SPECIFIED TOLERANCES FOR INCHES ARE:</small> .020 - .315 = ± 0.007" .315 - 1.180 = ± 0.015" 1.180 - 4.724 = ± 0.020" DO NOT SCALE DRAWING	APPROVALS	DATE	<h1 style="color: blue; margin: 0;">Amphenol Connex</h1>							
7			DRAWN		G.R.S.	07/20/05								
6			CHECKED											
5	HEX NUT	BRASS	NICKEL		1			PART DESCRIPTION						
4	LOCK WASHER	BRASS	NICKEL		1			SMB R/A P.C. MOUNT BULKHEAD JACK						
3	CONTACT PIN	BRASS	GOLD		1			75ohm						
2	INSULATOR	TEFLON	NATURAL		1			PART NO.						
1	BODY	BRASS	GOLD		1			142184-75						
	DESCRIPTION	MATERIAL	FINISH	QTY	CAD FILE	C:/142/142184-75.DWG	DWG. NO.	142184-75.DWG	REV.	NC	SIZE	A	SCALE	NA