

MATERIALS AND FINISHES

BODY ZINC ALLOY  
PLATED NICKEL

CENTER CONTACT PHOSPHOR BRONZE  
PLATED GOLD

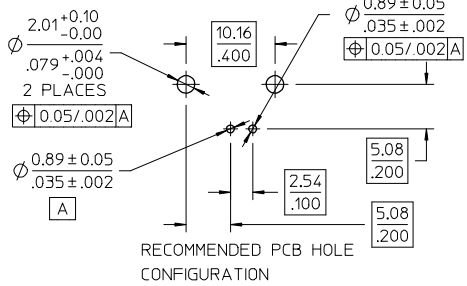
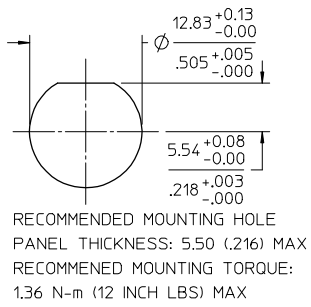
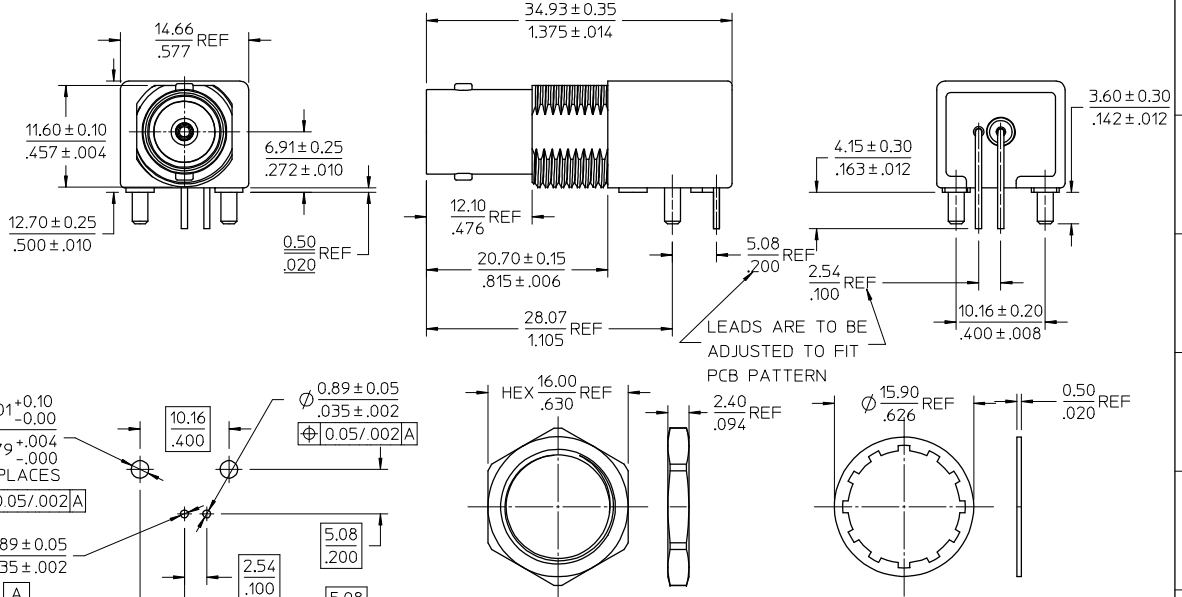
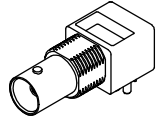
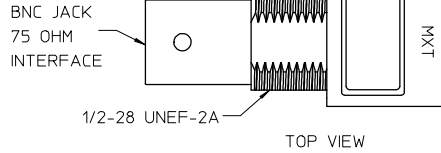
INSULATOR POLYPROPYLENE (94-V0)

MOUNTING POST PHOSPHOR BRONZE  
PLATED TIN

SOLDER TAIL COPPER OVER STEEL  
PLATED TIN

JAM NUT BRASS  
PLATED NICKEL

LOCK WASHER PHOSPHOR BRONZE  
PLATED NICKEL



73101-0401	WITH JAM NUT AND WASHER
73101-0400	WITHOUT JAM NUT AND WASHER
PART NO.	DESCRIPTION

PS-73598-0051	PRODUCT SPECIFICATION
SPECIFICATION	DESCRIPTION

CHG: 94V-0 WAS 94-V2 EC NO: UPE2008-0496 2008/04/01 DRAWN: JENER 2008/04/01 CHECKED: SHARH 2008/04/01 APPR: JENER 2008/04/01 AZ	QUALITY SYMBOLS ▽=0 ▽=0	GENERAL TOLERANCES (UNLESS SPECIFIED)	DIMENSION STYLE MM/MIN	SCALE DESIGN UNITS METRIC	THIRD ANGLE PROJECTION
		4 PLACES ±---+--- 3 PLACES ±---+--- 2 PLACES ±---+--- 1 PLACE ±---+--- ANGULAR ±---°	mm INCH DRAWN BY: MICHAEL DATE: 2007/06/07 CHECKED BY: KERRIE DATE: 2007/06/07 APPROVED BY: MISEN DATE: 2007/06/07	TITLE BNC JACK/R/A PCB, 75 OHMS DIE CAST, RECEPTACLE BNC-J/RA/PCB	MOLEX INCORPORATED

DRAFT WHERE APPLICABLE MUST REMAIN WITHIN DIMENSIONS	SEE TABLE	THIS DRAWING CONTAINS INFORMATION THAT IS PROPRIETARY TO MOLEX INCORPORATED AND SHOULD NOT BE USED WITHOUT WRITTEN PERMISSION
--	-----------	--