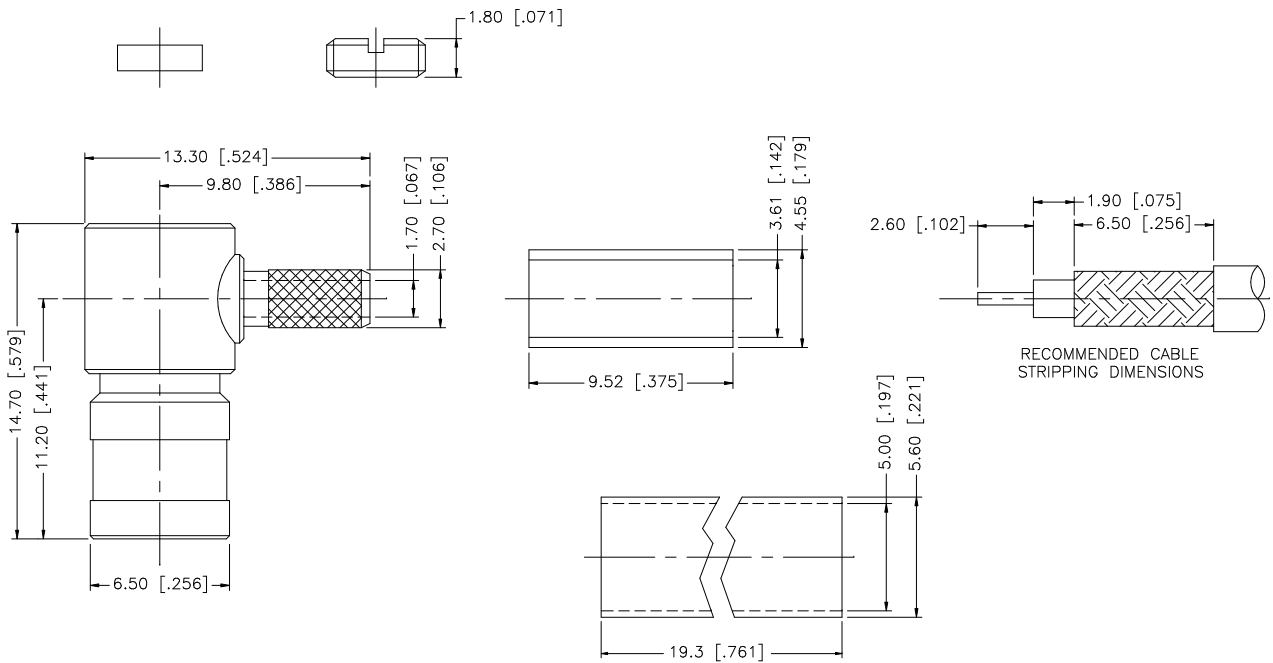


REV.	DATE	DESCRIPTION
NC	08/01/05	INITIAL RELEASE



- NOTE:
1. CRIMPED FERRULE
HEX CRIMP SIZE .151"
 2. CONTACT PIN TO SOLDER

DESCRIPTION	MATERIAL	FINISH	QTY	UNLESS OTHERWISE SPECIFIED DIMENSIONS ARE IN MILLIMETERS. DIMENSIONS IN [] ARE IN INCHES AND FOR CUSTOMER REFERENCE ONLY.	APPROVALS	DATE	Amphenol Connex								
8				UNLESS OTHERWISE SPECIFIED TOLERANCES FOR MILLIMETERS ARE: 0.5 - 8mm ± 0.20mm 8 - 30mm ± 0.40mm 30 - 120mm ± 0.50mm UNLESS OTHERWISE SPECIFIED TOLERANCES FOR INCHES ARE: .020 - .315 = ± 0.007" .315 - 1.180 = ± 0.015" 1.180 - 4.724 = ± 0.020"	DRAWN	G.R.S.	08/01/05	MINI 75ohm SMB R/A CRIMP PLUG (FOR RG-316/D)							
7	HEAT SHRINK TUBING		1		CHECKED							PART NO. 142176-75			
6	COVER	BRASS	GOLD		1	ISSUED									
5	FERRULE	COPPER	GOLD		1	SHEET	1 OF 1					REV. NC SIZE A SCALE NA			
4	INSULATOR	P.E.	NATURAL		1	CAD FILE		C:/142/142176-75.DWG							
3	CONTACT PIN	BER. COPPER	GOLD		1										
2	INSULATOR	TEFLON	NATURAL		1										
1	BODY	BRASS	GOLD		1										
DO NOT SCALE DRAWING															