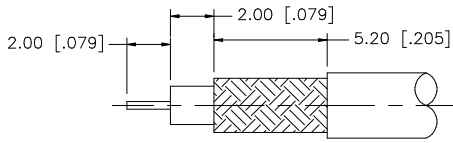
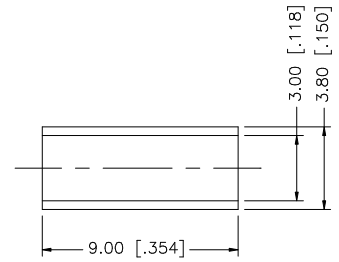
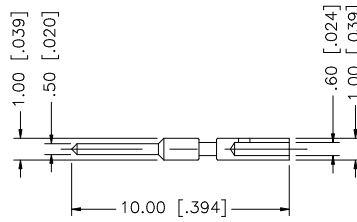
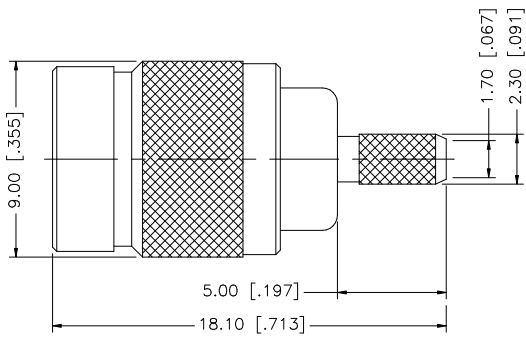


REV.	DATE	DESCRIPTION
NC	12/14/00	INITIAL RELEASE
A	10/19/06	UPDATE DRAWING FORMAT



RECOMMENDED CABLE STRIPPING DIM'S



CRIMP NOTES:

1. CRIMPED FERRULE
HEX CRIMP SIZE .128"
2. CONTACT PIN TO SOLDER.

				UNLESS OTHERWISE SPECIFIED DIMENSIONS ARE IN MILLIMETERS. DIMENSIONS IN [] ARE IN INCHES AND FOR CUSTOMER REFERENCE ONLY.	APPROVALS	DATE	Amphenol Connex							
8					DRAWN	G.R.S.	10/19/06	1.0/2.3 CRIMP PLUG (FOR RG-174/U, 188/U, 316/U CABLE)						
7				CHECKED			PART DESCRIPTION							
6				ISSUED			PART NO.							
5				SHEET	1 OF 1		282103							
4	FERRULE	COPPER	NICKEL	1	CAD FILE		DWG. NO.					282103.DWG	REV.	A
3	CONTACT PIN	BER. COPPER	GOLD	1	C:/282/282103.DWG									
2	INSULATOR	TEFLON	NATURAL	1	UNLESS OTHERWISE SPECIFIED TOLERANCES FOR MILLIMETERS ARE: 0.5 - 8mm ± 0.20mm 8 - 30mm ± 0.40mm 30 - 120mm ± 0.50mm									
1	BODY	BRASS	NICKEL	1	UNLESS OTHERWISE SPECIFIED TOLERANCES FOR INCHES ARE: .020 - .315 ± 0.007" .315 - 1.180 ± 0.015" 1.180 - 4.724 ± 0.020"									
	DESCRIPTION	MATERIAL	FINISH	QTY	DO NOT SCALE DRAWING									