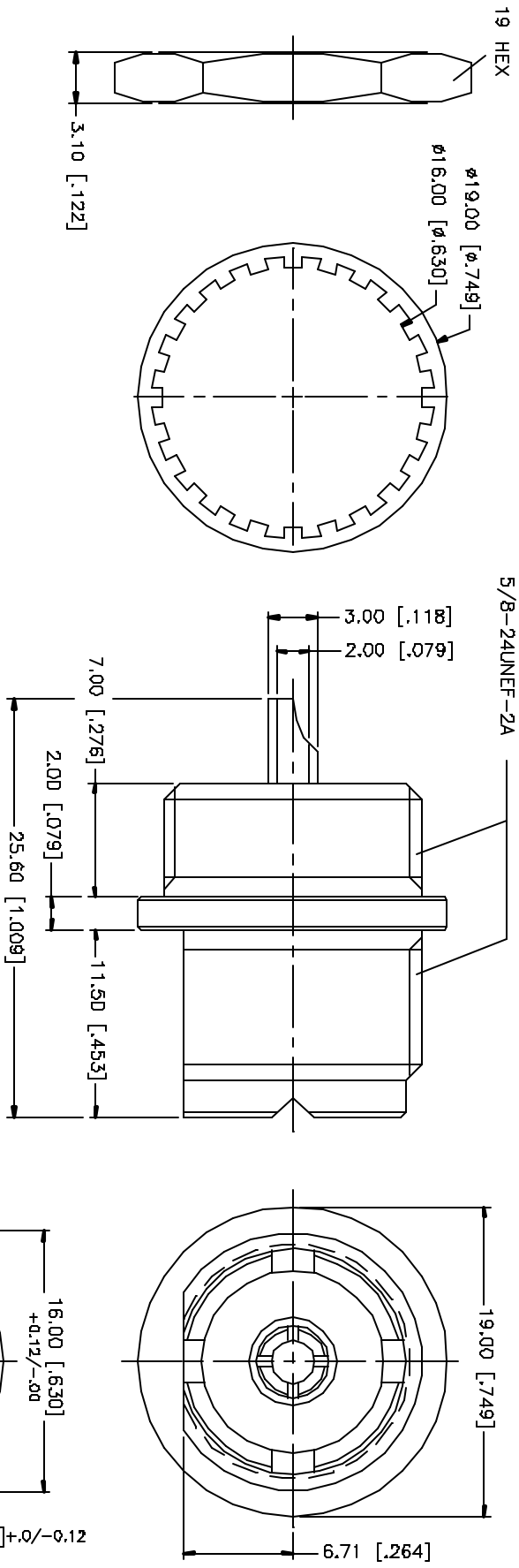


| REV. | DATE | DESCRIPTION |
|------|----------|----------------------------------|
| A | 05/15/05 | UPDATE DRAWING FORMAT / ADD FLAT |



NOTE:
1. PIN TO WITHSTAND 4 INCH-OUNCE RADIAL FORCE.

RECOMMENDED
MOUNTING HOLE

| NO. | DESCRIPTION | MATERIAL | FINISH | QTY | UNLESS OTHERWISE SPECIFIED DIMENSIONS ARE IN MILLIMETERS (DIMENSIONS IN INCHES ARE REFERRED TO BY DIMENSION REFERENCE ONLY) | APPROVALS | DATE | PART DESCRIPTION | DWG. NO. | REV. | SIZE | SCALE |
|-----|-------------|----------|---------|-----|---|-------------------|----------|---|------------|------|------|-------|
| 19 | HEX | | | | | | | Amphenol Connex UHF BULKHEAD RECEPTACLE REAR MOUNT 182320 | 182320.DWG | A | A | NA |
| 8 | | | | | UNLESS OTHERWISE SPECIFIED DIMENSIONS ARE IN MILLIMETERS (DIMENSIONS IN INCHES ARE REFERRED TO BY DIMENSION REFERENCE ONLY) | | | | | | | |
| 7 | | | | | UNLESS OTHERWISE SPECIFIED DIMENSIONS ARE IN MILLIMETERS (DIMENSIONS IN INCHES ARE REFERRED TO BY DIMENSION REFERENCE ONLY) | | | | | | | |
| 6 | | | | | UNLESS OTHERWISE SPECIFIED DIMENSIONS ARE IN MILLIMETERS (DIMENSIONS IN INCHES ARE REFERRED TO BY DIMENSION REFERENCE ONLY) | | | | | | | |
| 5 | HEX NUT | BRASS | NICKEL | 1 | 0.5 - 8mm ± 0.20mm | DRAWN | 05/15/05 | | | | | |
| 4 | LOCK WASHER | BRASS | NICKEL | 1 | 8 - 30mm ± 0.40mm | CHECKED | | | | | | |
| 3 | CONTACT PIN | BRASS | NICKEL | 1 | 30 - 120mm ± 0.50mm | DESIGNED | | | | | | |
| 2 | INSULATOR | TEFLON | NATURAL | 1 | UNLESS OTHERWISE SPECIFIED DIMENSIONS ARE REFERENCED FOR FINISH AND | SHEET | 1 OF 1 | | | | | |
| 1 | BODY | BRASS | NICKEL | 1 | .020 - .315 = ± 0.0075" .315 - 1.180 = ± 0.015" 1.180 - 4.724 = ± 0.020" | QAD FILE | | | | | | |
| | DESCRIPTION | MATERIAL | FINISH | QTY | DO NOT SCALE DRAWING | C:/182/182320.DWG | | | | | | |