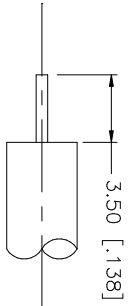
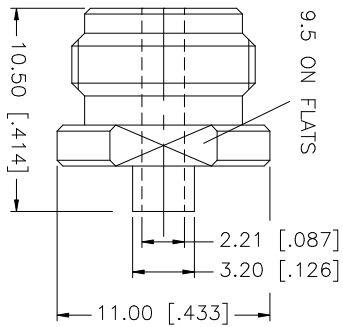
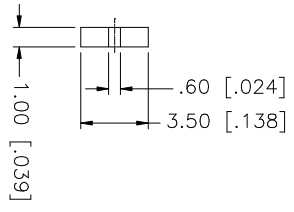
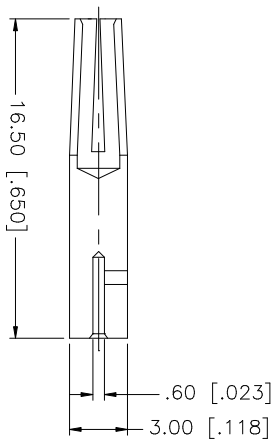
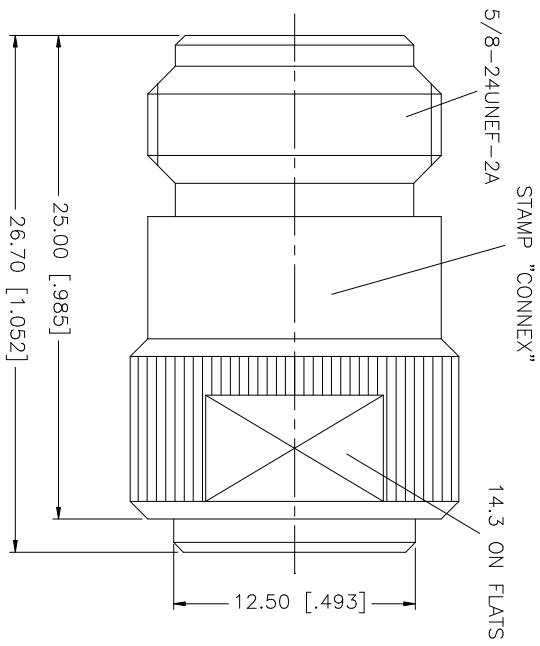


REV.	DATE	DESCRIPTION
NC	10/23/00	INITIAL RELEASE
A	06/25/06	UPDATE DRAWING FORMAT, REVISE PLATING TO NEXCOTE



RECOMMENDED CABLE STRIPPING DIM'S

NOTE:  
1. CONTACT PIN TO SOLDER.

QTY	FINISH	MATERIAL	DESCRIPTION
1	NEXCOTE	BRASS	BODY
2	NATURAL	TEFLON	INSULATOR
1	GOLD	PHOS. BRONZE	CONTACT PIN
1	GOLD	BRASS	SOLDER NUT
6			
7			
8			

APPROVALS	DATE	DESCRIPTION
G.R.S.	06/25/06	
CHECKED		
ISSUED		
SHEET 1 OF 1		

UNLESS OTHERWISE SPECIFIED DIMENSIONS ARE INCHES AND FOR CUSTOMER REFERENCE ONLY. TOLERANCES FOR MILLIMETERS ARE:	UNLESS OTHERWISE SPECIFIED DIMENSIONS ARE INCHES AND FOR CUSTOMER REFERENCE ONLY. TOLERANCES FOR INCHES ARE:
0.5 - 8mm ± 0.20mm	.020 - .315 = ± 0.007"
8 - 30mm ± 0.40mm	.315 - 1.180 = ± 0.015"
30 - 120mm ± 0.50mm	1.180 - 4.724 = ± 0.020"

CAD FILE	DWG. NO.	REV.	SIZE	SCALE
C:/172/172237.DWG	172237.DWG	A	A	NA

PART NO.	DESCRIPTION
172237	N DIRECT SOLDER JACK (FOR .085", .086" SEMI RIGID CABLE)

# Amphenol Connex