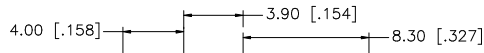
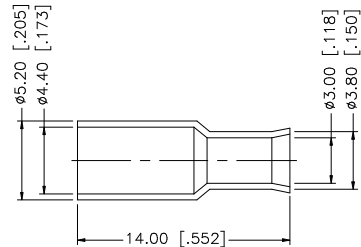
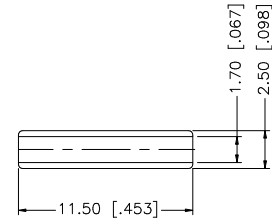
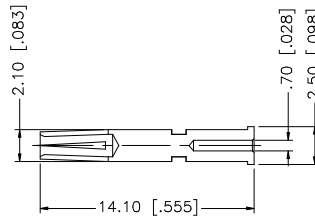
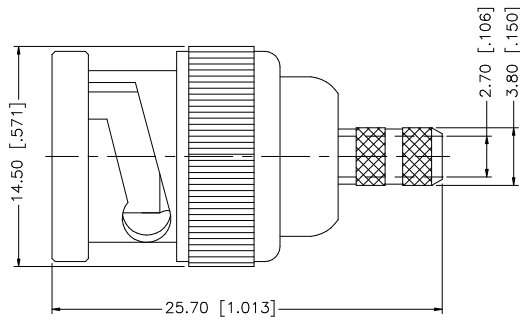


REV.	DATE	DESCRIPTION
NC	01/29/00	INITIAL RELEASE
A	09/24/06	UPDATE DRAWING FORMAT



RECOMMENDED  
CABLE STRIPPING DIM'S



CRIMP NOTES:

1. CRIMPED FERRULE HEX CRIMP SIZE .178"
2. CRIMPED CONTACT PIN HEX CRIMP SIZE .068"

DESCRIPTION	MATERIAL	FINISH	QTY	UNLESS OTHERWISE SPECIFIED DIMENSIONS ARE IN MILLIMETERS. DIMENSIONS IN [ ] ARE IN INCHES AND FOR CUSTOMER REFERENCE ONLY.	APPROVALS	DATE	PART DESCRIPTION							
8				UNLESS OTHERWISE SPECIFIED TOLERANCES FOR MILLIMETERS ARE: 0.5 - 8mm ± 0.20mm 8 - 30mm ± 0.40mm 30 - 120mm ± 0.50mm  UNLESS OTHERWISE SPECIFIED TOLERANCES FOR INCHES ARE: .020 - .315 = ± 0.007" .315 - 1.180 = ± 0.015" 1.180 - 4.724 = ± 0.020"  DO NOT SCALE DRAWING	DRAWN	G.R.S.	09/24/06	<b>Amphenol Connex</b> BNC CRIMP PLUG - REVERSE POLARIZED (FOR RG-174/U, 188A/U, 316/U CABLE)						
7			CHECKED											
6			ISSUED											
5	FERRULE	BRASS	NICKEL		1	SHEET	1 OF 1				PART NO.	112132RP		
4	SLEEVE	DELTRIN	NATURAL	1	CAD FILE	C:/112/112132RP.DWG	DWG. NO.	112132RP.DWG	REV.	A	SIZE	A	SCALE	NA
3	CONTACT PIN	BRASS	GOLD	1										
2	INSULATOR	TEFLON	NATURAL	1										
1	BODY	BRASS	NICKEL	1										