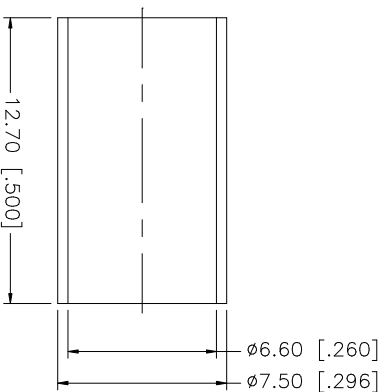
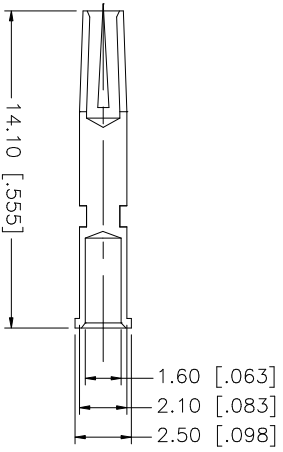
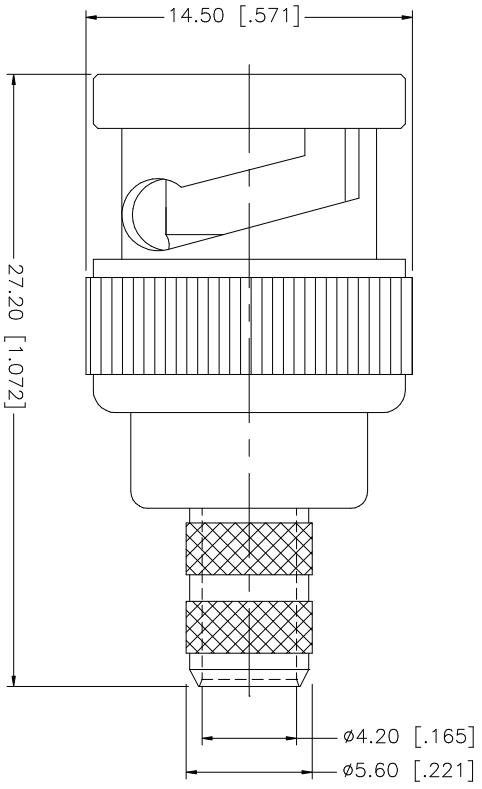
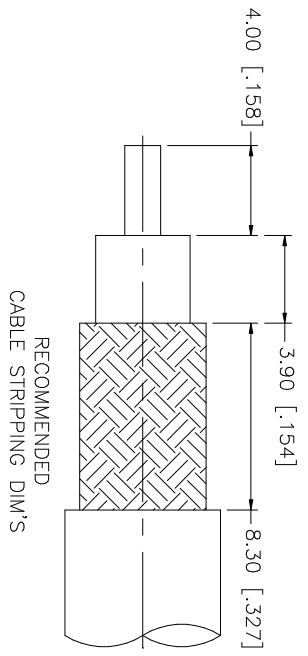


REV.	DATE	DESCRIPTION
NC	06/07/99	INITIAL RELEASE
A	07/31/05	UPDATE DRAWING FORMAT



DESCRIPTION	MATERIAL	FINISH	QTY	DO NOT SCALE DRAWING
1	BRASS	NICKEL	1	1.180 - 4.724 = ± 0.020"
2	TEFLON	NATURAL	1	.315 - 1.180 = ± 0.015"
3	PHOS. BRONZE	GOLD	1	.020 - .315 = ± 0.007"
4	COPPER	NICKEL	1	UNLESS OTHERWISE SPECIFIED, DIMENSIONS ARE IN MILLIMETERS. DIMENSIONS IN [] ARE IN INCHES AND FOR CUSTOMER REFERENCE ONLY. TOLERANCES FOR MILLIMETERS ARE:
5				0.5 - 8mm ± 0.20mm
6				8 - 30mm ± 0.40mm
7				30 - 120mm ± 0.50mm
8				UNLESS OTHERWISE SPECIFIED, DIMENSIONS ARE IN MILLIMETERS. DIMENSIONS IN [] ARE IN INCHES AND FOR CUSTOMER REFERENCE ONLY. TOLERANCES FOR MILLIMETERS ARE:

APPROVALS	DATE	PART DESCRIPTION	DWG. NO.	REV.	SIZE	SCALE
G.R.S.	07/31/05	BNC REVERSE POLARITY CRIMP PLUG (FOR LMR 240, 8X, B 7808A CABLE)	112533RP.DWG	A	A	NA
DRAWN		CAD FILE	C:/112/112533RP.DWG			
CHECKED		SHEET 1 OF 1				
ISSUED		PART NO. 112533RP				

Amphenol Connex

BNC REVERSE POLARITY CRIMP PLUG (FOR LMR 240, 8X, B 7808A CABLE)