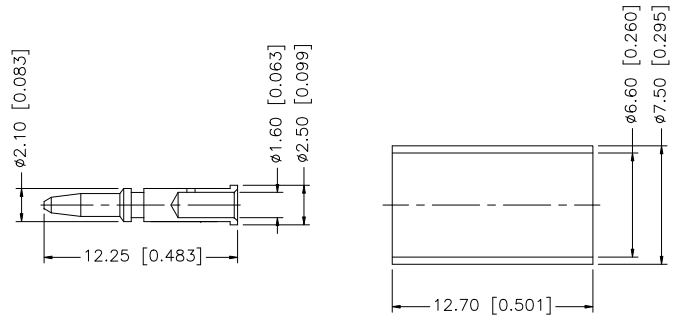
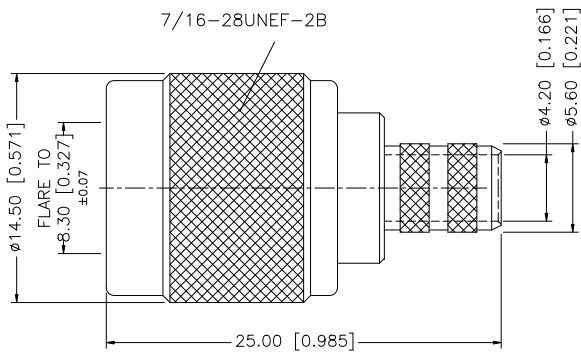
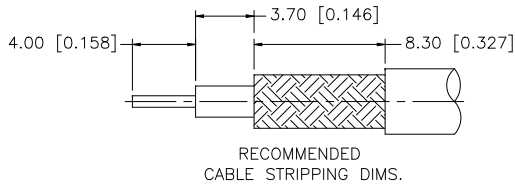


REV.	DATE	ECR NO.	DESCRIPTION
B	07/15/03	-	CHANGE INSULATOR TO DELRIN
C	04/01/08	-	CHANGE INSULATOR TO PTFE, REVISE CABLE DESCRIPTION
D	05/21/08	-	CHANGE INSULATOR TO DELRIN



NOTE:

1. CRIMPED FERRULE HEX CRIMP SIZE .255"
2. CRIMPED CONTACT PIN HEX CRIMP SIZE .068"

DESCRIPTION	MATERIAL	FINISH	QTY	DO NOT SCALE DRAWING	APPROVALS	DATE	Amphenol Connex							
8					DRAWN	G.R.S.	05/21/08	PART DESCRIPTION TNC STRAIGHT CRIMP PLUG (FOR LMR 240, BELDEN RG8X CABLE)						
7					CHECKED									
6					ISSUED			PART NO. 122408						
5					SHEET	1 OF 1								
4	FERRULE	COPPER	NICKEL	1	CAD FILE	C:/122/122408.DWG	DWG. NO.	122408.DWG	REV.	D	SIZE	A	SCALE	NA
3	CONTACT PIN	BRASS	GOLD	1	<small>UNLESS OTHERWISE SPECIFIED DIMENSIONS ARE IN MILLIMETERS; DIMENSIONS IN ( ) ARE IN INCHES AND FOR CUSTOMER REFERENCE ONLY.</small> <small>UNLESS OTHERWISE SPECIFIED TOLERANCES FOR MILLIMETERS ARE:</small> 0.5 - 8mm ± 0.20mm 8 - 30mm ± 0.40mm 30 - 120mm ± 0.50mm <small>UNLESS OTHERWISE SPECIFIED TOLERANCES FOR INCHES ARE:</small> .020 - .315 = ± 0.007" .315 - 1.180 = ± 0.015" 1.180 - 4.724 = ± 0.020"									
2	INSULATOR	DELRIN	NATURAL	1										
1	BODY	BRASS	NICKEL	1										