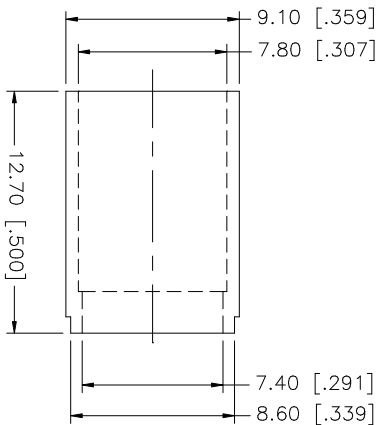
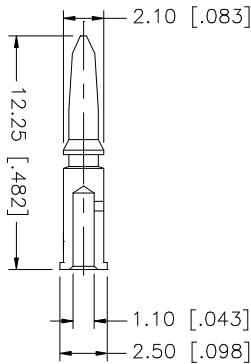
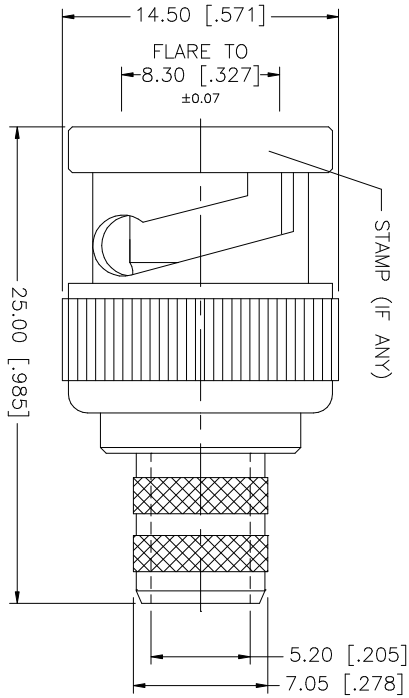
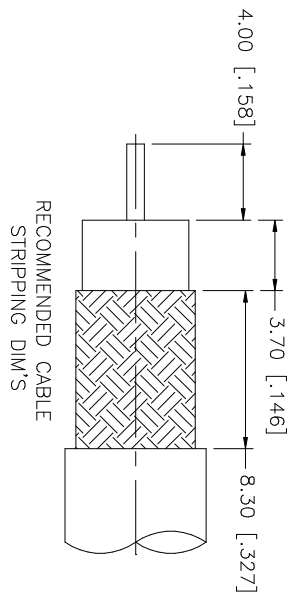


REV.	DATE	DESCRIPTION
A	04/05/03	UPDATE DRAWING FORMAT
B	02/21/06	UPDATE PART DESCRIPTION - ADD "1694A"



CRIMP NOTES:

1. CRIMPED FERRULE - HEX CRIMP SIZE .320".
2. CRIMPED CONTACT PIN - HEX CRIMP SIZE .068".

**Amphenol Connex**

BNC CRIMP PLUG  
(FOR BELDEN 9248, 1694A RG-6/U TYPE)

DESCRIPTION	MATERIAL	FINISH	QTY	UNLESS OTHERWISE SPECIFIED DIMENSIONS ARE INCHES AND FOR CUSTOMER REFERENCE ONLY. TOLERANCES FOR MILLIFIERS ARE: UNLESS OTHERWISE SPECIFIED 0.5 - 8mm ± 0.20mm 8 - 30mm ± 0.40mm 30 - 120mm ± 0.50mm UNLESS OTHERWISE SPECIFIED DIMENSIONS FOR INCHES ARE: UNLESS OTHERWISE SPECIFIED .020 - .315 = ± 0.007" .315 - 1.180 = ± 0.015" 1.180 - 4.724 = ± 0.020"	DO NOT SCALE DRAWING	APPROVALS	DATE	PART DESCRIPTION	PART NO.	DWG. NO.	REV.	SIZE	SCALE
8								BNC CRIMP PLUG (FOR BELDEN 9248, 1694A RG-6/U TYPE)	1 112565	112565.DWG	B	A	NA
7													
6													
5	FERRULE	COPPER	NICKEL	1									
4	GASKET	RUBBER	RED	1									
3	INSULATOR	DELFIN	NATURAL	1									
2	CONTACT PIN	BRASS	GOLD	1									
1	SHELL/BODY	BRASS	NICKEL	1									