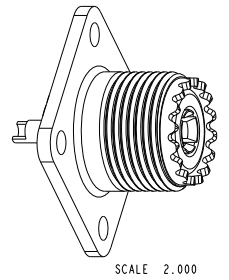
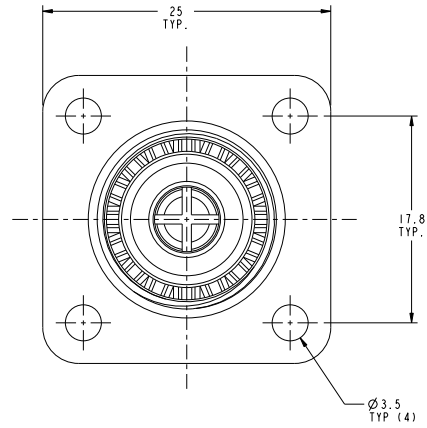
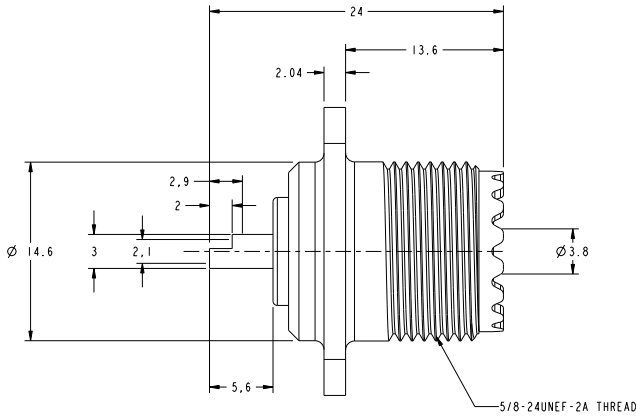


- NOTES: FINISH (PLATING THICKNESS IN MICRO-INCHES)
1. BRASS
  2. NICKEL PLATING (.000100 MIN THICK) OVER COPPER STRIKE.
  3. SILVER PLATING (.000050 MIN THICK) OVER NICKEL PLATING (.000100 MIN THICK) OVER COPPER STRIKE.

182341		REVISIONS			
DRAWING NO.	REV	DESCRIPTION	DATE	ECO	APPR
THIRD ANGLE PROJ.	A	RELEASE TO MFG.			CPM



3	CONTACT PIN	NOTE 1	NOTE 3	1
2	INSULATOR	POLYSTER	NATURAL	1
1	BODY	DIECAST	NOTE 2	1
NO.	DESCRIPTION	MATERIAL	FINISH	QTY

UNLESS OTHERWISE SPECIFIED, DIMENSIONS ARE IN INCHES AND TOLERANCES ARE:  
 2 PLACE DECIMAL ±.015 (0.381 mm)  
 3 PLACE DECIMAL ±.005 (0.127 mm)  
 ANGLES ± 1°

NOTICE - These drawings, specifications, or other data (1) are, and remain the property of Amphenol Corp. (2) must be returned upon request; and (3) are confidential and not to be disclosed to any person other than those to whom they are given by Amphenol Corp. The furnishing of these drawings, specifications, or other data by Amphenol Corp., or to any other person for any purpose is not to be regarded by implication or otherwise in any manner licensing, granting rights or permitting such holder or any other person to manufacture, use or sell any product, process or design, patented or otherwise, that may in any way be related to or disclosed by said drawings, specifications, or other data.

MATERIAL

REFERENCE

DRAWN  
C. McGRATH  
ENGINEER  
K. CAPOZZI  
APPROVED

DATE  
12-Nov-09  
DATE  
12-Nov-09  
DATE

TITLE  
UHF PANEL  
UWFKR0C0EACLE  
SO-239/A

Amphenol  
Connex

CAD FILE  
1:\UHF\182341

DWG SIZE DRAWING NO.  
B 182341

SCALE: 3.0:1 SHEET 1 OF 1 REV A