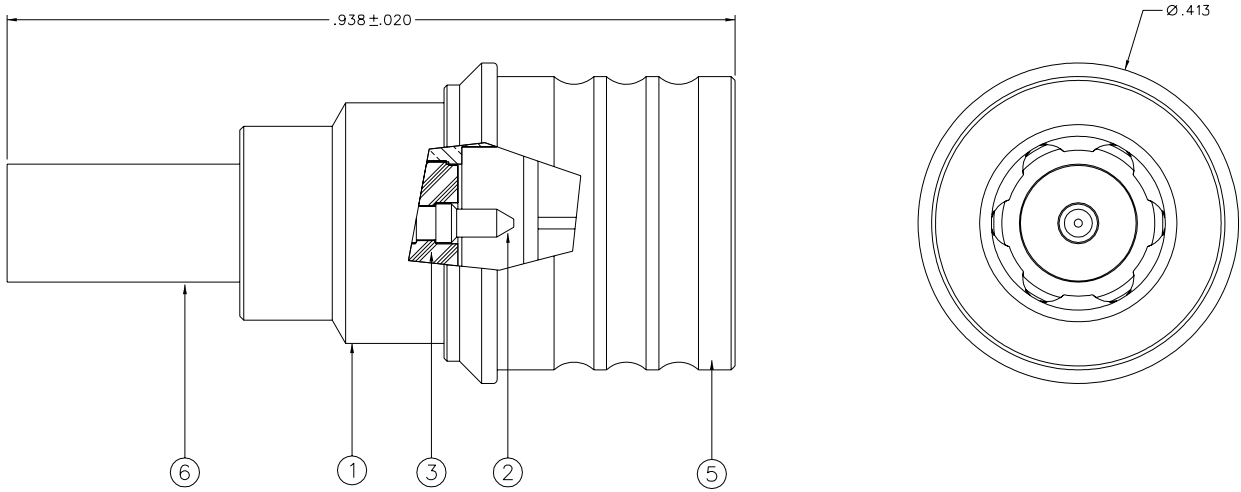


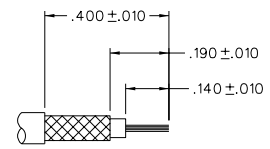
PART NUMBER	ITEM ① BODY	ITEM ② CONTACT	ITEM ③ INSULATOR	ITEM ④ COUPLING DEVICE	ITEM ⑤ DE-COUPLING SLIDER	ITEM ⑥ CRIMP SLEEVE
146-0403-007	BRASS TRI-ALLOY PL .0001 MIN OVER	BRASS GOLD PL .00005 MIN OVER NICKEL PL .00005 MIN OVER COPPER PL .00005 MIN	TEFLON	BERYLLIUM COPPER TRI-ALLOY PL .0001 MIN OVER	BRASS TRI-ALLOY PL .0001 MIN OVER	COPPER TRI-ALLOY PL .0001 MIN OVER

DRAWING NO. C - 146-0403-001/010			
REVISIONS			
PRE-PRODUCTION USE ONLY			
0	9-22-08	A T K L B	9-26-08 ECN 51632

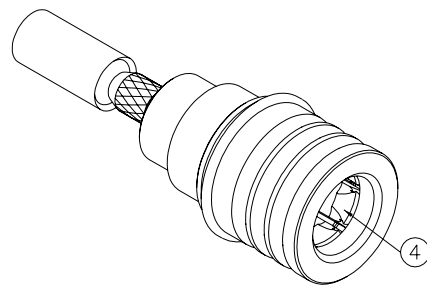


NOTES:

1. SPECIFICATIONS:
- IMPEDANCE: 50 OHMS NOMINAL
 - FREQUENCY RANGE: 0-12.4 GHz
 - VSWR: 1.15 + 0.02F
 - WORKING VOLTAGE: 250 VRMS MAX AT SEA LEVEL
 - DIELECTRIC WITHSTANDING VOLTAGE: 750 VRMS MIN AT SEA LEVEL
 - INSULATION RESISTANCE: 5000 MEGOHM MIN
 - CONTACT RESISTANCE:
 - CENTER CONTACT - INITIAL 3.0 MILLIOHM MAX, AFTER ENVIRONMENTAL 4.0
 - OUTER CONDUCTOR - INITIAL 2.0 MILLIOHM MAX, AFTER ENVIRONMENTAL NOT APPLICABLE
 - CABLE BRAID TO CONNECTOR BODY - INITIAL 5.0 MILLIOHM MAX, AFTER ENVIRONMENTAL NOT APPLICABLE
 - CORONA LEVEL: 190 VOLTS MIN AT 70,000 FEET
 - INSERTION LOSS: .06/F (F IN GHz) AT 6 GHz
 - RF LEAKAGE: -80 DB MIN AT 3.0 GHz
 - RF HIGH POTENTIAL WITHSTANDING VOLTAGE: 500 VRMS MIN AT 4 AND 7 MHz
- MECHANICAL:
- ENGAGE FORCE: 5.6 POUNDS TYPICAL
 - DISENGAGE FORCE: 4.5 POUNDS TYPICAL
 - COUPLING RETENTION FORCE: 13.5 POUNDS MIN
 - CONTACT RETENTION: 6 LBS MIN
 - CABLE ACCEPTABILITY: RG 188/U, RG 316/U, RG 161/U, RG 174/U
 - CABLE HEX CRIMP SIZE: .129
 - CONTACT CRIMP TOOL: 144-0000-910
 - CABLE RETENTION: 20 LBS MIN AXIAL FORCE
 - DURABILITY: 500 CYCLES MIN
- ENVIRONMENTAL:
- OPERATING TEMPERATURE: -65 DEG C TO +165 DEG C
 - THERMAL SHOCK: MIL-STD-202, METHOD 107, CONDITION B EXCEPT +85° C HIGH TEMP
 - CORROSION: MIL-STD-202, METHOD 101, CONDITION B
 - SHOCK: MIL-STD-202, METHOD 213, CONDITION D
 - VIBRATION: MIL-STD-202, METHOD 204, CONDITION D
 - MOISTURE RESISTANCE: MIL-STD-202, METHOD 106



CABLE STRIP DIMENSIONS
4:1



FOR QUOTATION ONLY
UNAPPROVED

THIS DRAWING TO BE INTERPRETED
PER ANS Y 14.5M - 1982

"μ STATION"

COMPANY CONFIDENTIAL

TOLERANCE UNLESS OTHERWISE SPECIFIED		DRAWN BY T.A.Kari	DATE 4-09-08		299 Johnson Ave. P.O. Box 1732 Waseca, MN 56093-0832	
DECIMALS	mm	CHECKED BY xxx	DATE x		TITLE THREE PIECE PLUG CRIMP TYPE, RG-316 QMA	CODE NO.
.XX	---	APPROVED BY xxx	DATE x	SCALE	10:1	U/M INCH
.XXX ± .003	---	RELEASE DATE	x	SHEET 2 OF 2		
MATL	---					
FINISH	---					