

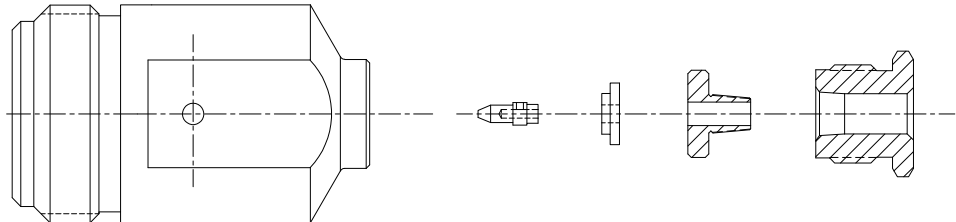
4 3 2 1

THIS DRAWING IS UNPUBLISHED. RELEASED FOR PUBLICATION

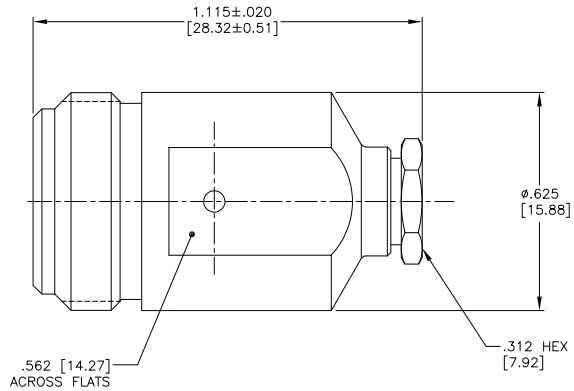
COMPONENT	MATERIAL	FINISH
HOUSING CLAMP NUT	BRASS PER ASTM-B-16, 1/2 HARD	NICKEL PLATED PER AMS-QQ-N-290
DIELECTRIC	TEF FLUORCARBON PER ASTM-D-1457	-
COLLAR CENTER CONTACT	BRASS PER ASTM-B-16, 1/2 HARD	GOLD PLATED PER ASTM-B-488

1. CAPTURED CENTER CONTACT

LOC	DIST	REVISIONS					
DF	XO	P	LR	DESCRIPTION	DATE	MIN	APD
		O		RELEASED	3-04	CT	RG



AS RECEIVED BY CUSTOMER



ASSEMBLED VIEW

1757071-1
PART
NO.

DESIGNED FOR USE WITH RG-174/U,179, 187, 188, 316 CABLE		THIS DRAWING IS A CONTROLLED DOCUMENT.		DR. C. THOMAS 18MAR04 OK. 3-18-04 R. GROSS APD 3-18-04 NAME R. GROSS PRODUCT SPEC.		Tyco Electronics Corporation Harrisburg, Pa 17105-3608			
CABLE ENTRY DIAMETER MINIMUM		DIMENSIONS: INCHES (mm) 0 PLG ± - 1 PLG ± - 2 PLG ± - 3 PLG ± - 4 PLG ± - ANGLES ± - FINISH		APPLICATION SPEC: 408-04893 HEIGHT: - CUSTOMER DRAWING		SIZE CASE CODE DRAWING NO. A2 00779 C=1757071		RESTRICTED TO	
COLLAR	.067 [1.70]	MATERIAL SEE TABLE		FINISH SEE TABLE		SCALE 5:1 SHEET 1 OF 1 REV 0			
CLAMP NUT	.115 [2.92]	REF: 3002-7388-10							
CONTACT	.025 [0.64]								