

4

3

2

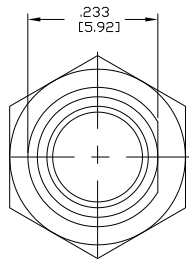
1

THIS DRAWING IS UNPUBLISHED. RELEASED FOR PUBLICATION N/A, N/A. COPYRIGHT: N/A BY TYCO ELECTRONICS CORPORATION. ALL INTERNATIONAL RIGHTS RESERVED.

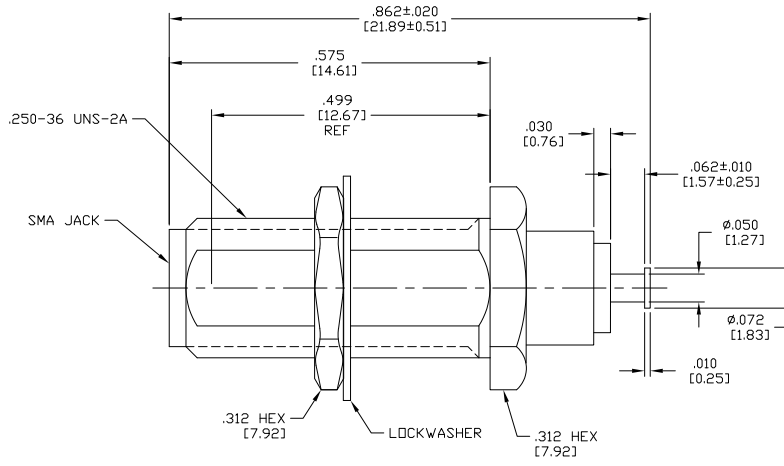
LOC	DIST	REVISIONS					
DF	XO	P	LR	DESCRIPTION	DATE	BY	APD
		B		REV PER ECO-11-005339	16MAR11	PY	DW

COMPONENT	MATERIAL	FINISH
HOUSING	STAINLESS STEEL PER ASTM-A-484 OR ASTM-A-582 TYPE 303	GOLD PLATE PER ASTM-B-488 OVER NICKEL PER QQ-N-290
LOCKWASHER		
MOUNTING NUT		
DIELECTRIC	PTFE FLUOROCARBON PER ASTM-D-1457	
CENTER CONTACT	BERYLLIUM COPPER PER ASTM-B-196 ALLOY 173, CONDITION H	GOLD PLATED PER ASTM-B-488 OVER COPPER PER MIL-C-14550

1. CAPTURED CENTER CONTACT.



VIEW SHOWN WITHOUT HEX NUT & LOCKWASHER



WARNING: THIS DOCUMENT CONTAINS TECHNICAL DATA WHOSE EXPORT IS RESTRICTED BY THE ARMS EXPORT CONTROL ACT (TITLE 22, U.S.C. SECTION 2751, ET SEQ.) OR THE EXPORT ADMINISTRATION ACT OF 1979, AS AMENDED (TITLE 50, U.S.C., APP. 2401 ET SEQ.) VIOLATIONS OF THESE EXPORT LAWS ARE SUBJECT TO SEVERE PENALTIES.

1484875-1 PART NO.

THIS DRAWING IS A CONTROLLED DOCUMENT.		DR: C. THOMAS 7-19-02	Tyco Electronics Corporation Harrisburg, PA 17105-3608	
DIMENSIONS: INCHES		OK: F. BLASICK 7-19-02	NAME: F. BLASICK	
TOLERANCES UNLESS OTHERWISE SPECIFIED:		APP: F. BLASICK 7-19-02	PRODUCT SPEC: -	
Ø	PLC	±	APPLICATION SPEC: -	SIZE: CASE CODE (DRAWING NO):
1	PLC	±	HEIGHT: TBD	A2 00779 ©=1484875
2	PLC	±	MATERIAL: SEE TABLE	RESTRICTED TO: -
3	PLC	± .005 (0.13)	FINISH: SEE TABLE	CUSTOMER DRAWING
4	PLC	± .005 (0.13)		SCALE: 8:1 SHEET: 1 of 1 REV: B
Ø	PLC	±		MA/CDM#: 2056-5140-00
ANGLES	±	°		

1471-9 (1/08)

1484875

A