

4

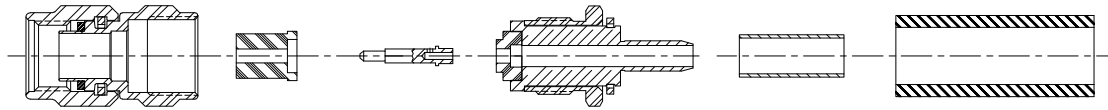
3

2

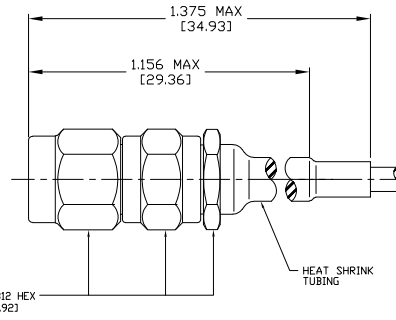
1

THIS DRAWING IS UNPUBLISHED. RELEASED FOR PUBLICATION  
 © COPYRIGHT BY TYCO ELECTRONICS CORPORATION. ALL RIGHTS RESERVED.

LOC	DIST	REVISIONS					
DF	XO	P	LTR	DESCRIPTION	DATE	MIN	APPD
		B		REV PER EDD 06-028037	12-12-06	CT	RG



AS RECEIVED BY CUSTOMER



ASSEMBLED VIEW

COMPONENT	MATERIAL	FINISH
HOUSING COUPLING NUT CLAMP NUT	STAINLESS STEEL PER ASTM-A484 AND ASTM- A582, TYPE 303	PASSIVATE PER AMS-QQ-P-35
DIELECTRIC	TFE FLUOROCARBON PER ASTM-D-1457	N/A
CENTER CONTACT	BERYLLIUM COPPER PER ASTM-B-196 OR ASTM-B-197, ALLOY C17300, CONDITION H	GOLD PLATE PER AMS-2422
INNER SLEEVE	BRASS PER ASTM-B-16, HALF HARD	GOLD PLATE PER AMS-2422
RETAINING RING	BERYLLIUM COPPER PER ASTM-B-194, ALLOY C17200, CONDITION H	GOLD PLATE PER AMS-2422
GASKET	SILICONE RUBBER PER ZZ-R-765	N/A
SHRINK TUBING	HEAT SHRINKABLE POLYOLEFIN COMPOUND MIL-I-23053/4	N/A
FERRULE	COPPER OR BRASS ALLOY ROCKWELL F65 MAXIMUM	GOLD PLATE PER AMS-2422

DESIGNED FOR USE WITH  
RAYCHEM 9530G1018

CABLE ENTRY DIAMETER	MINIMUM
SLEEVE	.075 [1.91]
DIELECTRIC	.080 [2.03]
CONTACT	.023 [0.58]

1757675-1  
PART NUMBER

THIS DRAWING IS A CONTROLLED DOCUMENT.		DR C. THOMAS 5-10-06	Tyco Electronics Corporation Harrisburg, PA 17105-3608
DIMENSIONS: INCHES		OK 2-10-06	
DIMENSIONS: MILLIMETERS 0 PLG ± .005 1 PLG ± .005 2 PLG ± .005 (0.15) 4 PLG ± .005 ANGLES ± .5°		R. GROSS 5-10-06 NAME APPLICATION SPEC: 408-04949 HEIGHT FINISH	NAME OSM STRAIGHT CABLE PLUG KIT, CRIMP ATTACHMENT SIZE CASE CODE DRAWING NO A2 00779 ©=1757675 REF: 2031-5124-02 SCALE 4:1 SHEET 1 of 1 REV B
MATERIAL SEE TABLE	FINISH SEE TABLE	CUSTOMER DRAWING	RESTRICTED TO

AMP 1471-9 REV 31MM2000

12DEC2006 1:38pm us016412 H:\docmod\1757675\_1\_c.dwg