

4

3

2

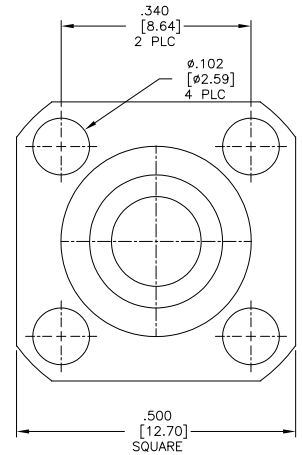
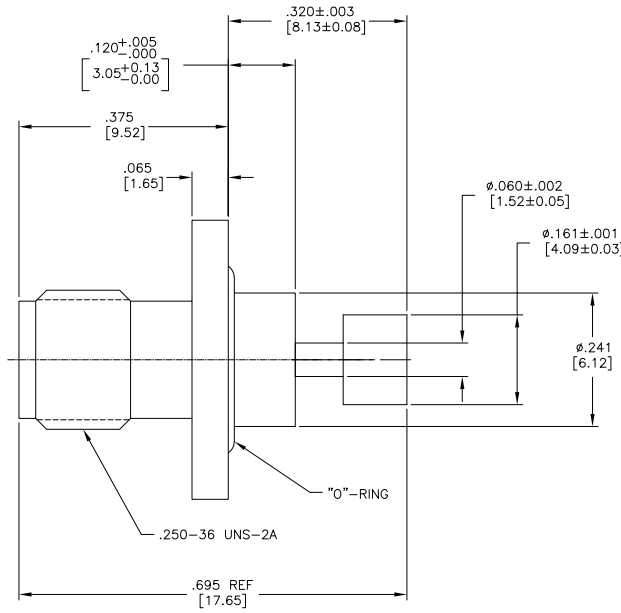
1

THIS DRAWING IS UNPUBLISHED. RELEASED FOR PUBLICATION N/A, N/A.

© COPYRIGHT N/A BY TYCO ELECTRONICS CORPORATION. ALL RIGHTS RESERVED.

LOC	DIST	REVISIONS				
DF	XO	P	LR	DATE	MIN	APP
		O	RELEASED	2-3-05	CT	RG

COMPONENT	MATERIAL	FINISH
HOUSING	STAINLESS STEEL PER ASTM-A-484 OR ASTM-A-582 TYPE 303	GOLD PLATED PER ASTM-B-488
DIELECTRIC	PTFE FLUOROCARBON PER ASTM-D-1457	-
CENTER CONTACT	BERYLLIUM COPPER PER ASTM-B-196 OR ASTM-B-197 ALLOY C17300, CONDITION H	GOLD PLATED PER ASTM-B-488
HERMETIC SEAL	GLASS BEAD	-
CONTACT EXTENSION	BRASS PER ASTM-B-16 HALF HARD	GOLD PLATED PER ASTM-B-488
"O"-RING	ETHYLENE PROPYLENE PER ASTM-D2000-70	-



ELECTRICAL	MECHANICAL	ENVIRONMENTAL
Nominal Impedance (Ohms) 50	Interface Dimensions MIL-STD-348A, Fig. 310-2	TEMPERATURE RATING -65 TO +165°C
Frequency Range (GHz) DC to 12.0	Recommended Mating Torque 7-10 IN-LBS	Vibration MIL-STD-202, Method 204, Condition B
Volt Rating (VRMS MAX) @ Sea Level 335	Mating Characteristics: Insertion (MAX Lbs) 3.0	Shock MIL-STD-202, Method 213, Condition - Acceleration 200G
VSWR 1.05 +.005F(GHz) @ DC TO 12 GHz	Withdrawal (MIN Oz) 1.0	Thermal Shock MIL-STD-202, Method 107, Condition B
Insertion Loss (dB MAX) N/A	Force to Engage and Disengage (In-Lbs MAX) .100	Moisture Resistance MIL-STD-202, Method 106
RF Leakage (dB MIN) N/A	Center Contact Captivation Axial (Lbs) 6.0	Corrosion - MIL-STD-202, Method 101, Condition B, 5% salt spray
Corona, 70,000 Ft (VRMS MIN) 250	Radial (In-Dz) N/A	
Dielectric Withstanding Voltage (VRMS MIN) @ Sea Level 1,000	Cable Retention TBD	
Contact Resistance (Milliohms MAX) Center Contact 2.0	Axial Force (Lbs) N/A	
Outer Contact 1.0	Torque (In-Dz) N/A	
Cable to Housing N/A	Weight (Grans) TBD	
RF High Potential @ Sea Level (VRMS MIN @ 5 MHz) 670		
I.R.(Megohms MIN) 10,000		

1757141-1 PART NO.

THIS DRAWING IS A CONTROLLED DOCUMENT.		DR C. THOMAS 2-3-05	Tyco Electronics Corporation Harrisburg, Pa 17105-3608
DIMENSIONS: INCHES (mm)		OK 2-4-05	
OTHER DIMENSIONS UNLESS OTHERWISE SPECIFIED:		R. GROSS 2-4-05	SMA HERMETICALLY SEALED MICROSTRIP TRANSITION
MATERIAL SEE TABLE		PRODUCT SPEC	
FINISH SEE TABLE		APPLICATION SPEC	RESTRICTED TO
		HEIGHT TBD	SIZE CASE CODE DRAWING NO
		CUSTOMER DRAWING	A2 00779 C=1757141
		SCALE 8:1	SHEET 1 OF 1
		MA/CDM#: 2052-0721-00	REV O

AMP 1471-9 REV 31MM2000 26FEB2002 8:32am AMP16412