

4

3

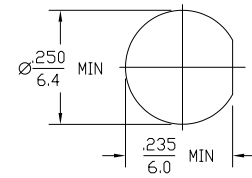
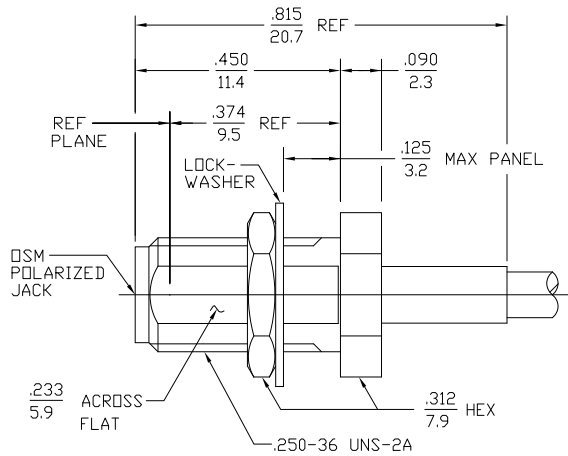
2

1

THIS DRAWING IS UNPUBLISHED. RELEASED FOR PUBLICATION
 © COPYRIGHT BY TYCO ELECTRONICS CORPORATION. ALL RIGHTS RESERVED.

DESIGNED FOR USE WITH FUJIKURA 0.8D-0E.V CABLE CABLE ENTRY DIAMETER MINIMUM	
FERRULE	.098
HOUSING	.034

LOC	DIST	REVISIONS		
AJ	00	P LTR	DESCRIPTION	DATE
		B	REV PER EDD 07-004710	2/27/2007 DW KW



RECOMMENDED MOUNTING HOLE

- NOTES:
 1. CAPTURED CENTER CONTACT

1329975-1
 PART NUMBER

ELECTRICAL	MECHANICAL	ENVIRONMENTAL
Nominal Impedance (Ohms) 50	Interface Dimensions MIL-STD-348A, Fig. N/A	TEMPERATURE RATING -65°C TO + 165°C
Frequency Range (GHz) DC to 12.4	Recommended Mating Torque N/A	Vibration MIL-STD-202, Method 204, Condition D
Volt Rating (VRMS MAX) @ Sea Level 250	Mating Characteristics: Insertion (MAX lbs) 3.0	Shock MIL-STD-202, Method 213, Condition I
VSWR 1.30 : 1	Withdrawal (MIN oz) 1.0	Thermal Shock MIL-STD-202, Method 107, Condition B, EXCEPT HIGH TEMP SHALL BE +85°C
Insertion Loss (dB MAX) .06 √F(GHz)	Force to Engage and Disengage (in-lbs MAX) 2.0	Moisture Resistance MIL-STD-202, Method 106
RF Leakage (dB MIN) -[60-F(GHz)]	Center Contact Captivation Axial (lbs) 6.0	Corrosion - MIL-STD-202, Method 101, Condition B, 5% salt spray
Corona, 70,000 Ft (VRMS MIN) 190	Radial (in-oz) N/A	
Dielectric Withstanding Voltage (VRMS MIN) @ Sea Level 750	Cable Retention Axial Force (lbs MIN) TBD	
Contact Resistance (Milliohms MAX) Center Contact 2.0	Torque (in-oz MIN) TBD	
Outer Contact 2.0	Weight (Grams) TBD	
Cable to Housing 0.5		
RF High Potential @ Sea Level (VRMS MIN @ 5 MHz) 500		
I.R.(Megohms MIN) 10,000		

.XXX = in
 XX.X = mm (REF)

COMPONENT	MATERIAL	FINISH
HOUSING MOUNTING NUT LOCKWASHER	STAINLESS STEEL PER ASTM-A484 AND ASTM-A582, TYPE 303	PASSIVATE PER QQ-P-35
DIELECTRIC	PTFE FLUOROCARBON PER ASTM-D-1457	N/A
CENTER CONTACT	BERYLLIUM COPPER PER ASTM-B-196 OR ASTM-B-197, ALLOY C17300, CONDITION H, OR BRASS PER ASTM-B-16	GOLD PLATE PER MIL-G-45204
INNER CONTACT	BERYLLIUM COPPER ALLOY #172	GOLD PLATE PER MIL-G-45204
FERRULE	COPPER OR BRASS ALLOY ROCKWELL F65 MAXIMUM	NICKEL PLATE QQ-N-290

THIS DRAWING IS A CONTROLLED DOCUMENT.		DATE 1/25/99	Tyco Electronics Corporation Harrisburg, PA 17105-3608	
DIMENSIONS: INCHES	OTHER DIMENSIONS: MILLIMETERS	APPROVED: [Signature]	NAME: [Name]	RESTRICTED TO: []
0 PLG ± .005	0 PLG ± .005	APPLICATION SPEC: []	SIZE: A2	CAGE CODE: 00779
1 PLG ± .005	1 PLG ± .005	HEIGHT: []	DRAWING NO: 1329975	SCALE: 4:1
2 PLG ± .005	2 PLG ± .005	FINISH: []	SHEET: 1 of 1	REV: B
3 PLG ± .005	3 PLG ± .005	CUSTOMER DRAWING		

AMP 1471-9 REV 31MM2000

1329975

A