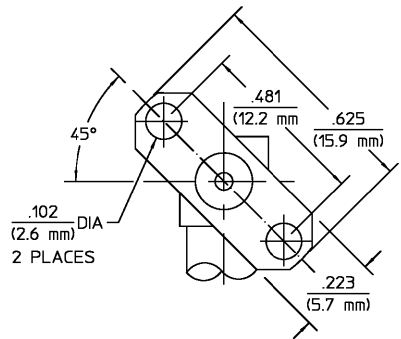


REVISIONS			
REV	DESCRIPTION	DATE	APPROVED
010	RELEASED	4/27/92	<i>[Signature]</i>



ELECTRICAL	MECHANICAL	ENVIRONMENTAL
Nominal Impedance (Ohms) 50	Interface Dimensions MIL-STD-348A, Fig. 310.2	Temperature Rating -65°C To +125°C
Frequency Range (GHz) DC to 18.0	Recommended Mating Torque N/A	Vibration MIL-STD-202, Method 204 Condition D
Volt Rating (VRMS MAX) Sea Level 335	Mating Characteristics:	Shock MIL-STD-202, Method 213, Condition 1
VSWR 1.07 +.015(GHz)	Insertion (MAX Lbs) 3.0	Thermal Shock MIL-STD-202, Method 107, Condition 1
Insertion Loss (dB MAX) .08 √f (GHz)	Withdrawal (MIN Oz) 1.0	Except High Temp +115°C
RF Leakage (dB MIN) -(90-f(GHz))	Force to Engage and Disengage (In-Lbs MAX) 2.0	Moisture Resistance MIL-STD-202, Method 106
Corona, 70,000 Ft (VRMS MIN) 250	Center Contact Captivation	Corrosion - MIL-STD-202, Method 101, Condition B, 5% salt spray
Dielectric Withstanding Voltage (VRMS MIN) Sea Level 1,000	Axial (Lbs) 6.0	
Contact Resistance (Milliohms MAX)	Radial (In-Oz) 4.0	
Center Contact 3.0	Cable Retention	
Outer Contact 2.0	Axial Force (Lbs) N/A	
Cable to Housing N/A	Torque (In-Oz) N/A	
RF High Potential Sea Level (VRMS MIN @ 5 MHz) 670	Weight (Grams) TBD	
IR.(Megohms MIN) 5,000		

COMPONENT	MATERIAL	FINISH
HOUSING CAP	STAINLESS STEEL PER ASTM-A484 AND ASTM-A582, TYPE 303	GOLD PLATE PER MIL-G-45204 OVER NICKEL PLATE PER QQ-N-290
DIELECTRIC	TFE FLUOROCARBON PER ASTM-D-1457	N/A
CENTER CONTACT CONTACT EXT.	BERYLLIUM COPPER PER ASTM B 196, ALLOY C17300, CONDITION H	GOLD PLATE PER MIL-G-45204 OVER COPPER PLATE PER MIL-C-14550

UNLESS OTHERWISE SPECIFIED DIMENSIONS ARE IN INCHES TOLERANCE ON FRAC. DEC. ANGLES ± 1/64 ±.005 ± °	DRAWN BY <i>BB</i> DATE 4/20/92	AMP Incorporated 140 Fourth Avenue Waltham, MA 02451-7599
	CHECKED BY <i>MLC</i> DATE 4-23-92	
APPROVED BY <i>[Signature]</i> DATE 4/27/92	TITLE OSM 2 HOLE FLANGE MOUNT RIGHT ANGLE JACK RECEPTACLE STRAIGHT TERMINAL	
USE ASSY PROCEDURE	NO. AP. N/A	SCALE 4 : 1
	SIZE B CODE IDENT NO. 26805	2054-1251-00
		REV 010 SHEET 1 OF 1

CUSTOMER DRAWING AMP PART # 1052987-1 SHEET 1 OF 1 REV A