

4

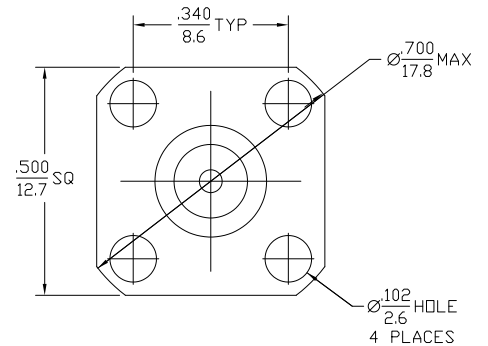
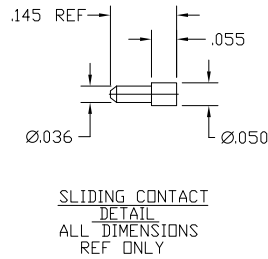
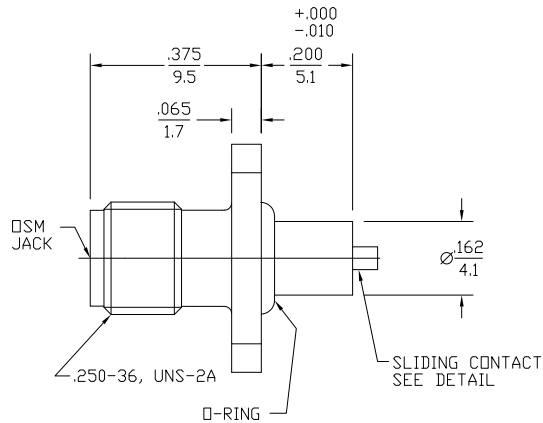
3

2

1

THIS DRAWING IS UNPUBLISHED.
 RELEASED FOR PUBLICATION
 BY TYCO ELECTRONICS CORPORATION. ALL RIGHTS RESERVED.

LOC	DIST	REVISIONS			
P	LTR	DESCRIPTION	DATE	BY	APP'D
AJ	00				
C		REV PER EDD 09-013106	10/JUL/09	PY	DW



1091666-1
 PART NUMBER

ELECTRICAL	MECHANICAL	ENVIRONMENTAL
Nominal Impedance (Ohms) 50	Interface Dimensions MIL-STD-348, Fig.310-2	TEMPERATURE RATING -65°C TO 125°C
Frequency Range (GHz) DC to 14	Recommended Mating Torque N/A	Vibration MIL-STD-202, Method 204
Volt Rating (VRMS MAX) @ Sea Level 335	Mating Characteristics: Insertion (MAX Lbs) 3.0	204, Condition B
VSWR N/A	Withdrawal (MIN Oz) 1.0	Shock MIL-STD-202, Method 213, Condition I
Insertion Loss (dB MAX) N/A	Force to Engage and Disengage (In/Lbs MAX) 2	Thermal Shock MIL-STD-202, Method 107, Condition B
RF Leakage (dB MIN) N/A	Center Contact Captivation	Moisture Resistance MIL-STD-202, Method 106, Except Vibration Shall Be Omitted
Corona, 70,000 Ft (VRMS MIN) 250	Axial (Lbs) 6.0	Moisture Resistance MIL-STD-202, Method 101, Condition B, 5% salt spray
Dielectric Withstanding Voltage (VRMS MIN) @ Sea Level 1000	Radial (In/Oz) 4.0	Corrosion - MIL-STD-202, Method 101, Condition B, 5% salt spray
Contact Resistance (Milliohms MAX) Center Contact 3	Weight (Grams) TBD	
Outer Contact 2		
Cable to Housing N/A		
RF High Potential @ Sea Level (VRMS MIN @ 5 MHz) 670		
I.R.(Megohms MIN) 5000		

COMPONENT	MATERIAL	FINISH
HOUSING	STAINLESS STEEL PER ASTM-A484 AND ASTM-A582, TYPE 303	PASSIVATE PER QQ-P-35
DIELECTRIC	PTFE FLUOROCARBON PER ASTM-D-1457	N/A
CENTER CONTACT	BERYLLIUM COPPER PER ASTM-B-196 OR ASTM-B-197, ALLOY C17300, CONDITION H OR BRASS PER ASTM-B-16	GOLD PLATE PER MIL-G-45204
O-RING	ETHYLENE PROPYLENE PER ASTM D2000	N/A

THIS DRAWING IS A CONTROLLED DOCUMENT.		DATE: 9/18/97	Tyco Electronics Corporation Harrisburg, PA 17105-3608	
DIMENSIONS: INCHES		DATE: 8/21/97	OSM 4 HOLE FLANGE MOUNT JACK RECEPTACLE WITH SLIDING CONTACT	
MATERIAL: -		FINISH: -	SIZE: A2	RESTRICTED TO: -
FINISH: -		WEIGHT: -	CAGE CODE: 00779	REV: C
		CUSTOMER DRAWING	SCALE: 5:1	SHEET: 1 of 1

AMP 1471-9 REV 31MM2000

1091666

A