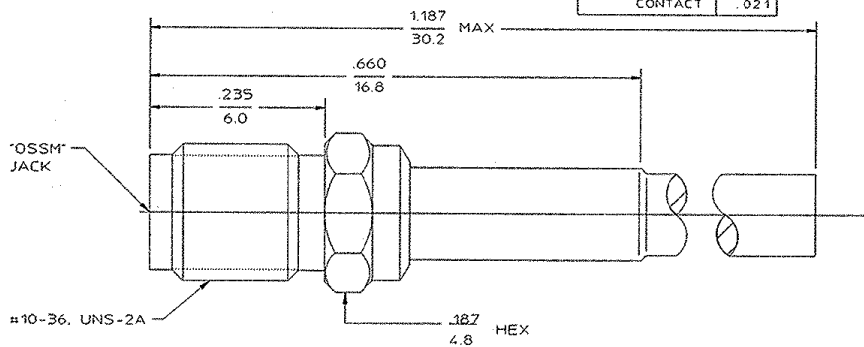


DESIGNED FOR USE WITH		REVISIONS			
RG-188/U, RG-179/U		REV	DESCRIPTION	DATE	APPROVED
CABLE ENTRY DIAMETER MINIMUM		04 ₁	REVISED	KLE	POL
				11-14-96	11/15/96
FERRULE	.111				
HOUSING	.066				
CONTACT	.021				



ELECTRICAL Nominal Impedance (Ohms) 50 Frequency Range (GHz) DC to 3 Volt Rating (VRMS MAX) @ Sea Level 250 VSWR 1.07 @ .015(GHz) Insertion Loss (dB MAX) .04 (1GHz) RF Leakage (dB MIN) -190 (1GHz) Corona, 70,000 Ft (VRMS MIN) 190 Dielectric Withstanding Voltage (VRMS MIN) @ Sea Level 750 Contact Resistance (Milliohms MAX) Center Contact 4.0 Outer Contact 2.0 Cable to Housing 0.05 RF High Potential @ Sea Level (VRMS MIN @ 5 MHz) 500 IR (Megohms MIN) 5,000		MECHANICAL Interfacing Dimensions MIL-STD-328A, Fig. 319-2 Recommended Mating Torque 7-10 IN-LBS Mating Characteristics Insertion (MAX Lbs) 3.0 Withdrawal (MIN Oz) 1.0 Force to Engage and Disengage (in-Lbs MAX) 2.0 Center Contact Captivation Axial (Lbs) 4.0 Radial (in-Oz) N/A Cable Retention Axial Force (Lbs) 6.0 Torque (in-Oz) N/A Weight (Grams) TBD		ENVIRONMENTAL Temperature Raging -65 TO +125°C Vibration MIL-STD-202, Method 204, Condition D Shock MIL-STD-202, Method 213, Condition I Thermal Shock MIL-STD-202, Method 107, Condition B, Except High Temp +85°C Moisture Resistance MIL-STD-202, Method 106 Corrosion - MIL-STD-202, Method 101, Condition B, 5% salt spray .XXX = in XX.X = mm (REF)		COMPONENT HOUSING DIELECTRIC CENTER CONTACT		MATERIAL STAINLESS STEEL PER ASTM-A484 AND ASTM-A582, TYPE 303 TFE FLUOROCARBON PER ASTM-D-1457 BERYLLIUM COPPER PER ASTM-B-196 OR ASTM-B-197, ALLOY C17300, CONDITION H		FINISH GOLD PLATE PER MIL-G-45204 N/A GOLD PLATE PER MIL-G-45204	
UNLESS OTHERWISE SPECIFIED DIMENSIONS ARE IN INCHES FRAC DEC ANGLES 1/64 .005 1°		DRAWN BY: LOB DATE: 3-21-69 CHECKED BY: PG DATE: 3-21-69 APP'D BY: DNANIA DATE: 3-21-69		M/A-COM, Inc. Waltham, MA 02254 an AMP company		TITLE OSSM STRAIGHT CABLE JACK SOLDER ATTACHMENT		USE ASSY PROCEDURE NO. AP. 10-012		SIZE: B CODE IDENT NO: 26805 TITLE: 1032-5002-00 REV: 04 ₁ SCALE: 8:1 SHEET 1 OF 1	

CUSTOMER

Tyco PART # 1045497
 SHEET 1 of 1 REV 0