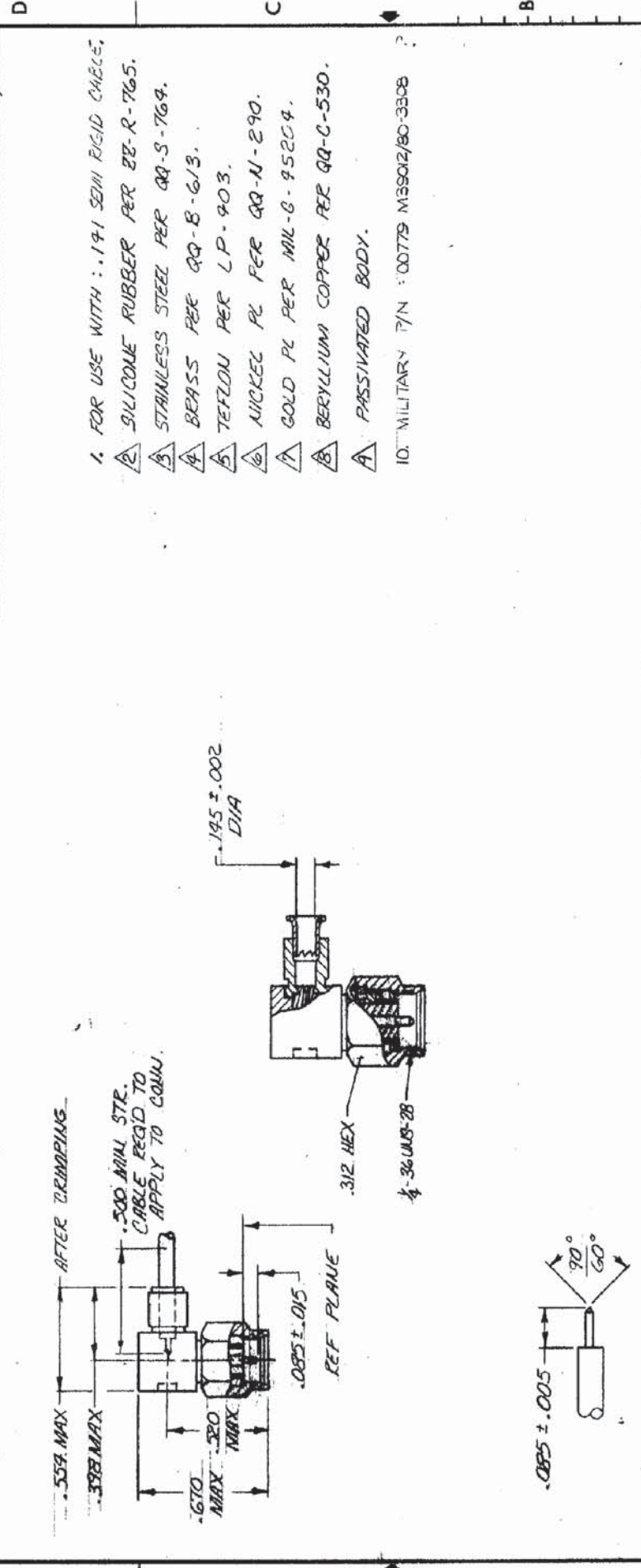


DRAWING MADE IN THIRD ANGLE PROJECTION		1		LOG AJ DIST 16	
THIS DRAWING IS UNPUBLISHED. RELEASED FOR PUBLICATION BY AMP INCORPORATED, HARRISBURG, PA. ALL INTERNATIONAL RIGHTS RESERVED. AMP PRODUCTS MAY BE COVERED BY U.S. AND FOREIGN PATENTS AND/OR PATENTS PENDING.					
COPYRIGHT 19		19			
REVISIONS					
P	F	ZONE	LTR	DESCRIPTION	DATE
✓	✓	8	8	REV # 820/WJ	1-15-87
✓	✓	0	0	REV PER AJ-2419	1-15-87
✓	✓				1-15-87



UNLESS OTHERWISE SPECIFIED DIMENSIONS TO BE IN INCHES: DECIMALS ANGLES		CONTRACT NO		PART NO	
MATERIAL		DR. J. SANDA 7/12/83		AMP INCORPORATED	
FINISH		CHK B. S. HEICK 7/15/83		Harrisburg, Pa.	
2 3 4 5 8		APPROVED 7/22/83		NAME	
6 A A		APPROVED 7/22/83		CONNECTOR COAXIAL R.F.	
		DESIGN APPRO		PLUG, RIGHT ANGLE	
		OTHER APPRO		MIL-F 38512 SERIES SMA	
		DRAWING NO		FORM NO	
		228626-1		B 00779	
		SCALE		SHEET	
		1/15		1/15	

1. FOR USE WITH .191 SEMI RIGID CABLE,
 2. SILICONE RUBBER PER EZ-R-765.
 3. STAINLESS STEEL PER QQ-S-769.
 4. BRASS PER QQ-B-613.
 5. TEFLON PER L.P. 903.
 6. NICKEL PL PER QQ-N-290.
 7. GOLD PL PER MIL-G-95204.
 8. BERYLLIUM COPPER PER QQ-C-530.
 9. PASSIVATED BODY.
 10. MILITARY P/N : 00779 M39012/80-3308

CUSTOMER DRAWING